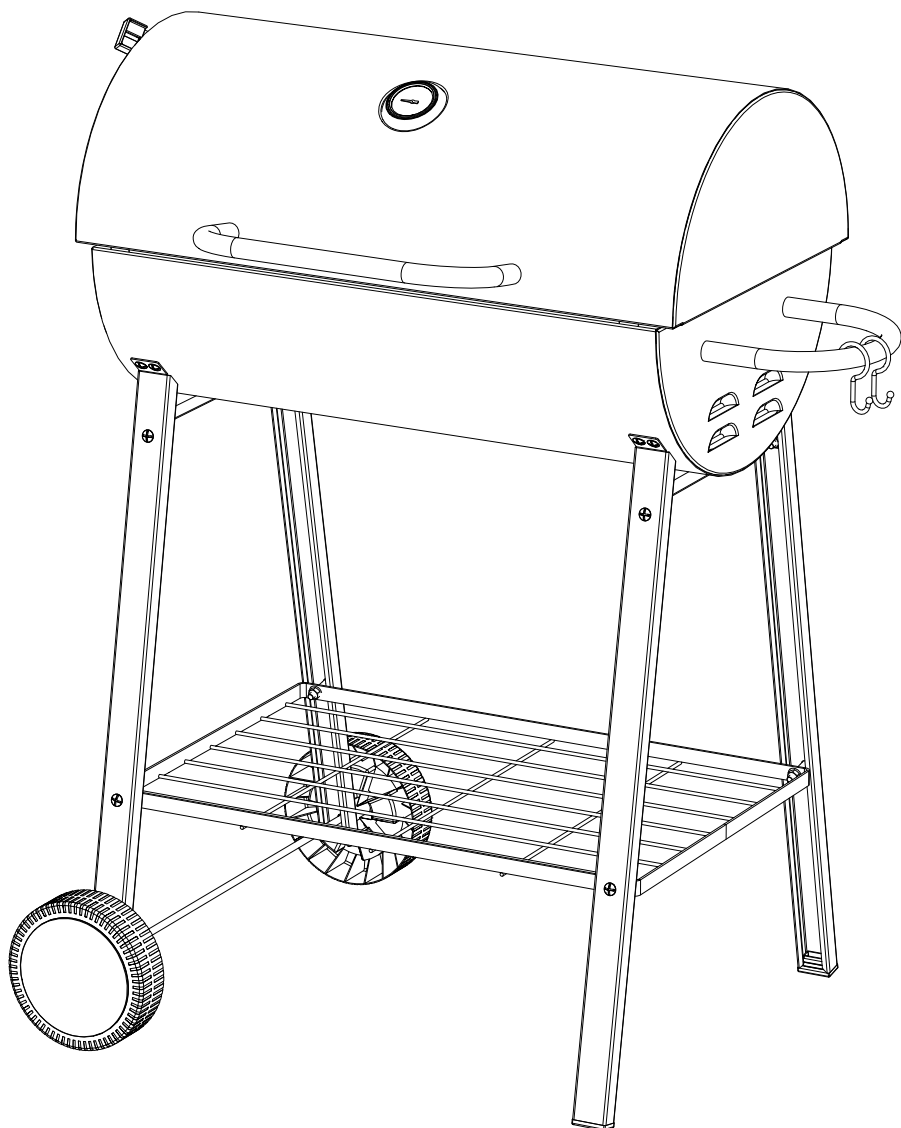


TOM 376040i (NF)

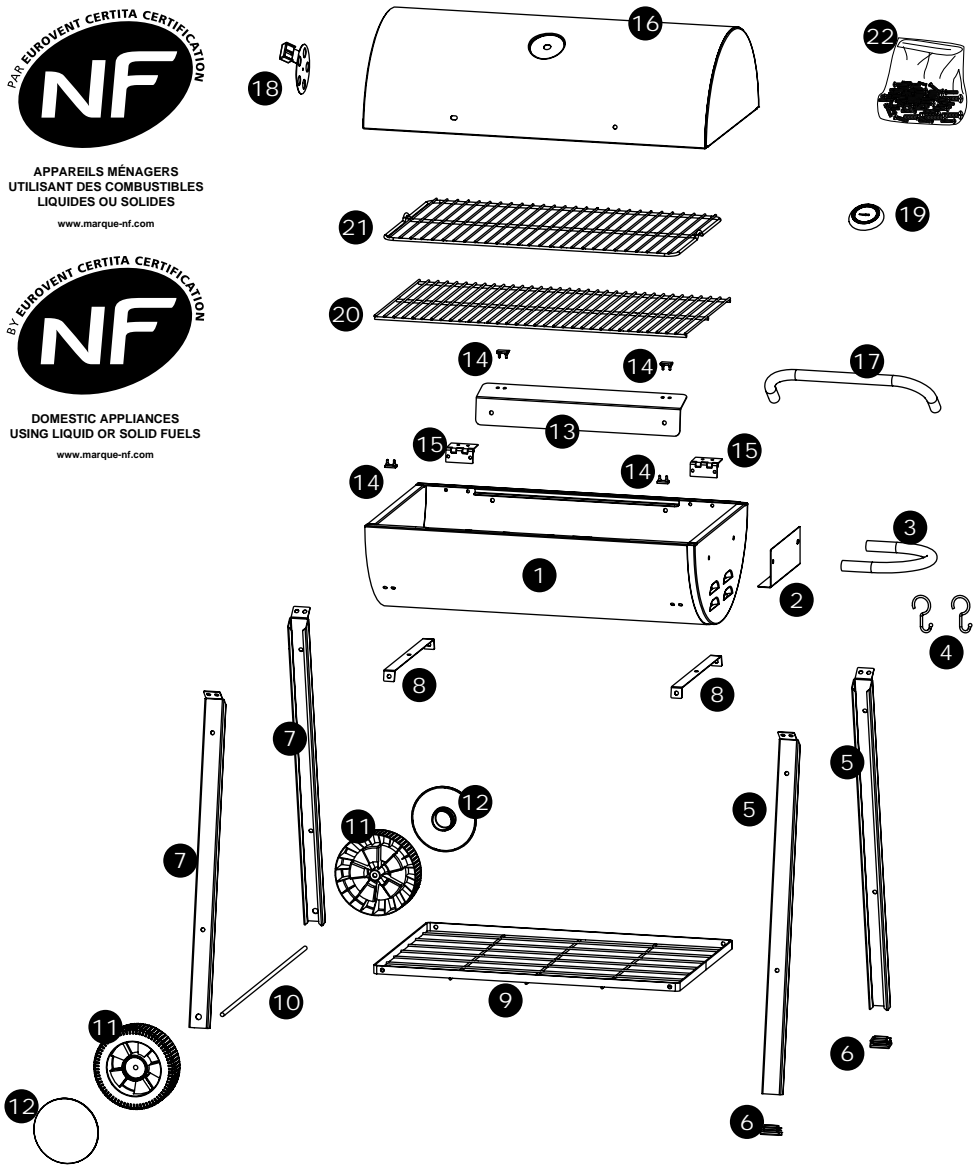




APPAREILS MÉNAGERS
UTILISANT DES COMBUSTIBLES
LIQUIDES OU SOLIDES
www.marque-nf.com




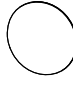





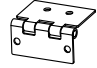

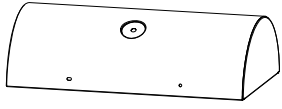
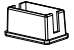



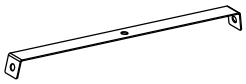

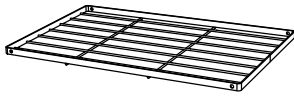





DOMESTIC APPLIANCES
USING LIQUID OR SOLID FUELS
www.marque-nf.com



	6 x 35	4
	6 x 16	4
	6 x 12	16
	4 x 12	9

	Ø 8	1
	Ø 6	24
	Ø 4	9
	Ø 6	20
	brake nut Ø 4	1
	Ø 4	8

	Ø 8	1
	Ø 8	2

1		x 1	12		x 2
2		x 1	13		x 1
3		x 1	14		x 4
4		x 2	15		x 2
5		x 2	16		x 1
6		x 2	17		x 1
7		x 2	18		x 1
8		x 2	19		x 1
9		x 1	20		x 1
10		x 1	21		x 1
11		x 2	22		

1

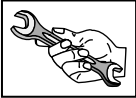
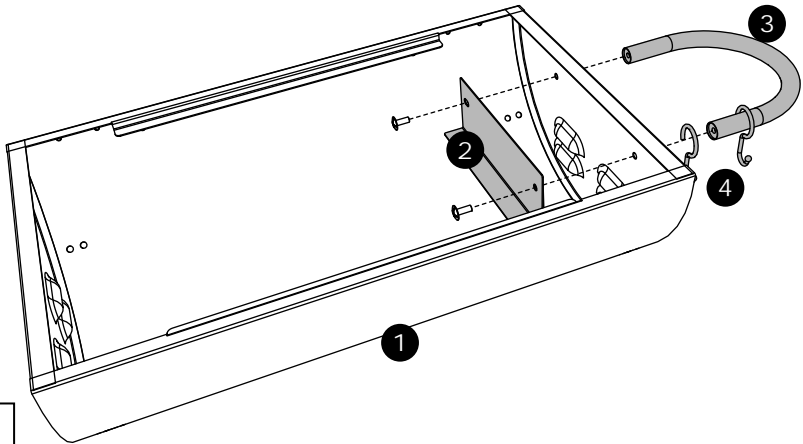
Ø6 x 16

Ø6



x 2

x 2



2

Ø6x12

Ø6

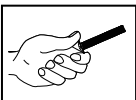
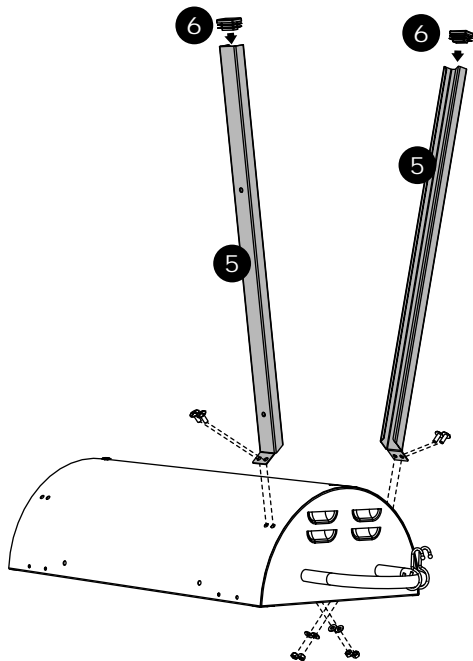
Ø6



x 4

x 4

x 4



3

Ø6x12

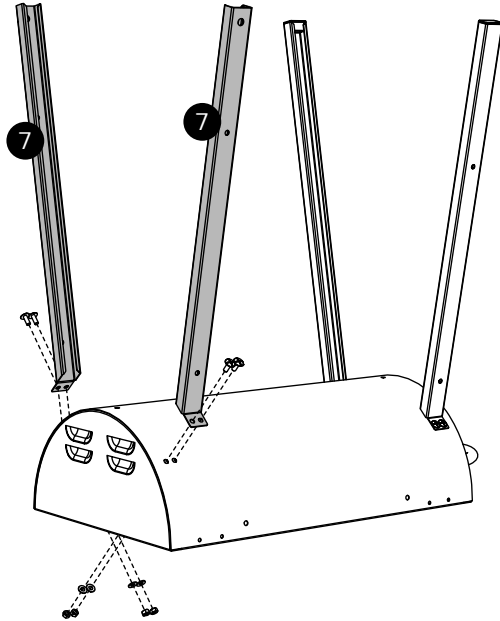
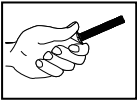
Ø6

Ø6

x 4

x 4

x 4



4

Ø6x12

Ø6x35

Ø6

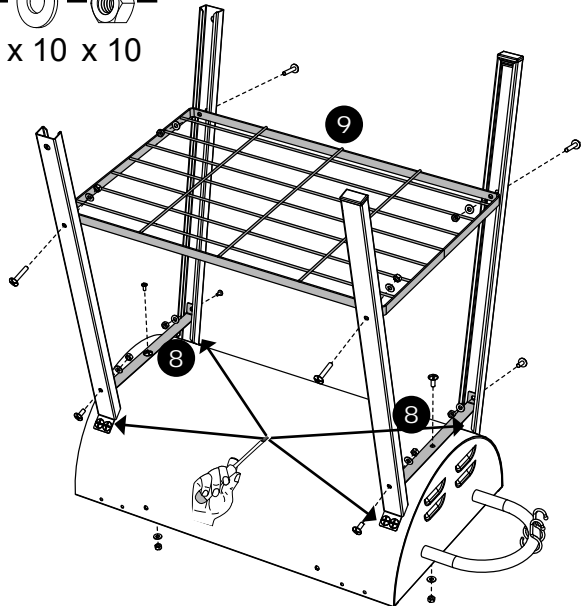
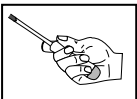
Ø6

x 6

x 4

x 10

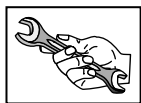
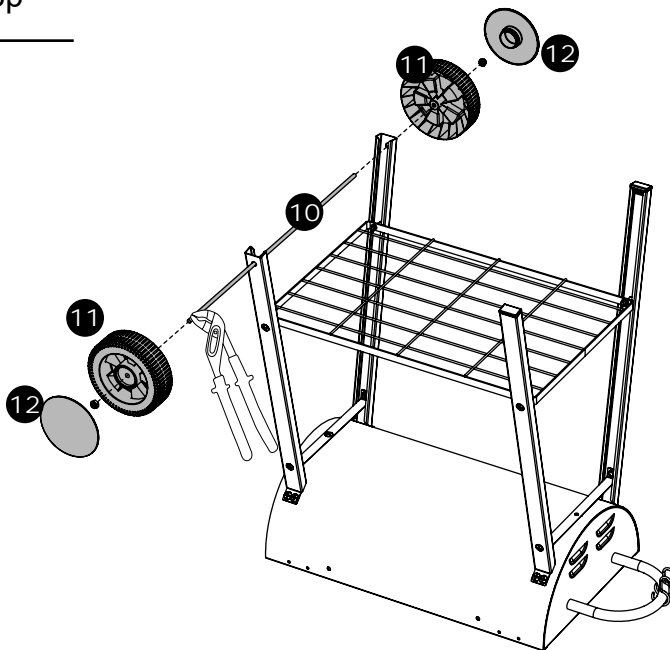
x 10



5 Ø8 Nylstop



x 2



6

Ø6x12

Ø6

Ø6



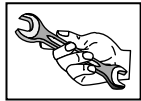
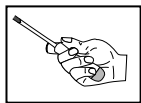
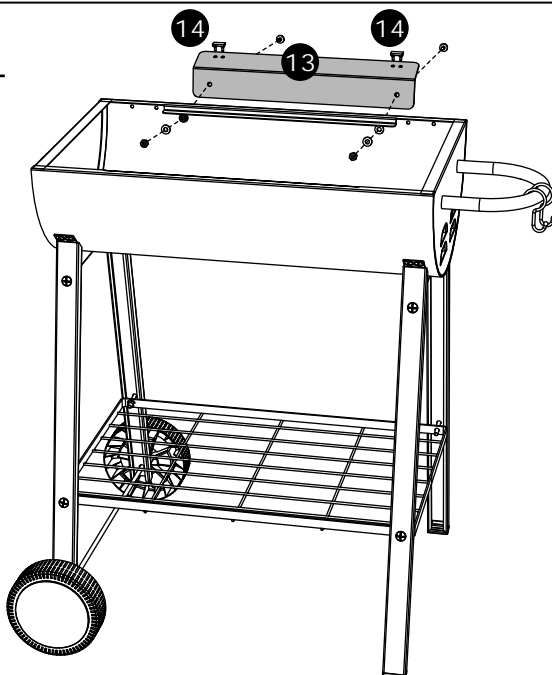
x 2



x 2

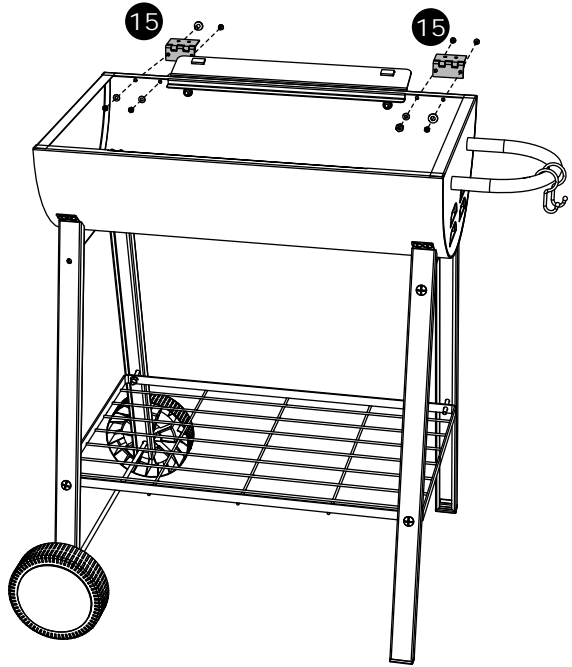
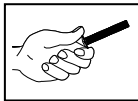
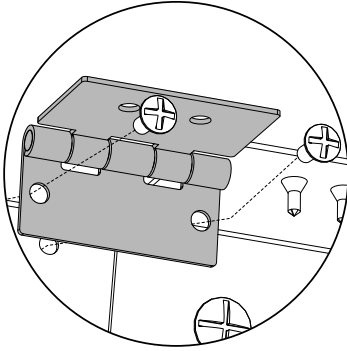
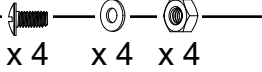


x 2



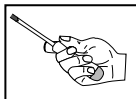
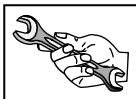
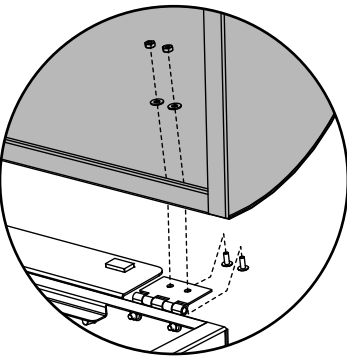
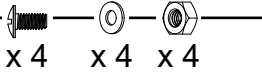
7

Ø4x12 Ø4 Ø4



8

Ø4x12 Ø4 Ø4



16

