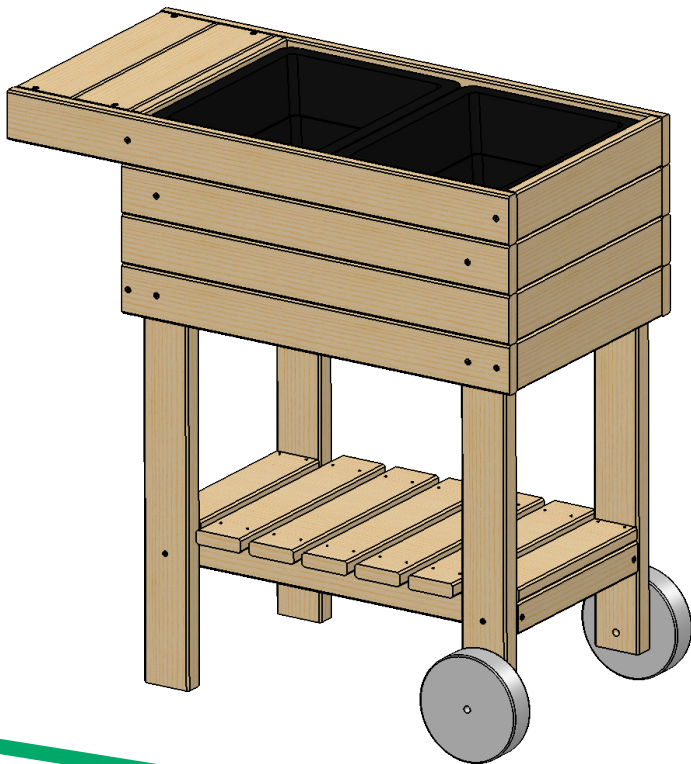


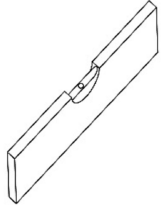
Ref.003816

Vers.1

# Prunella



  
forest-style  
ENJOY YOUR GARDEN



x2



00:30

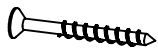


?

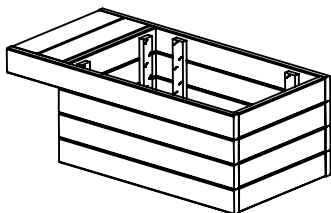


[www.forest-style.com](http://www.forest-style.com)

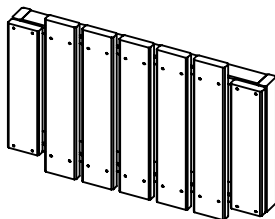
I  
Ø 4x50mm (x12)



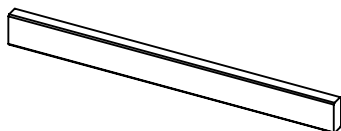
A (x1)



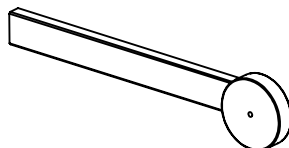
B (x1)



C (x2)



D (x2)

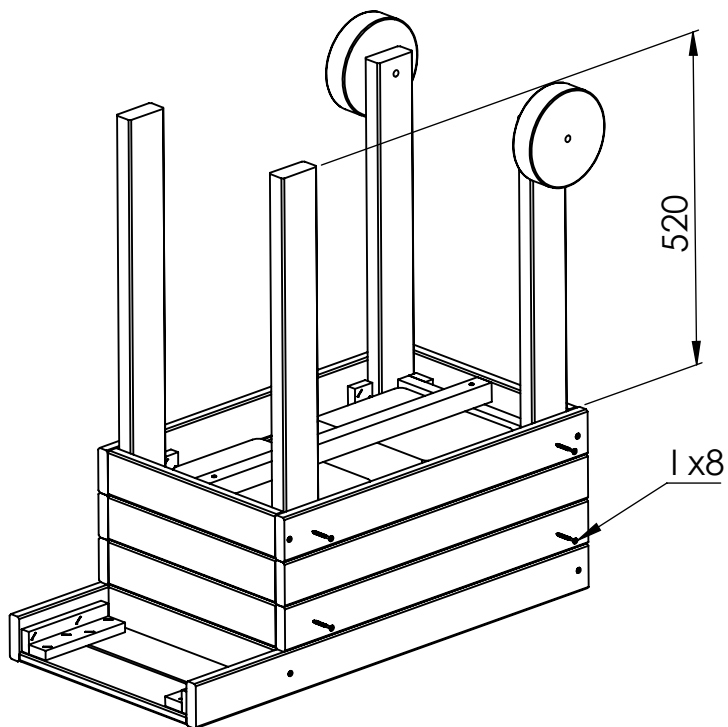


Pré-perçage recommandé / Pre-drilling recommended / Vorbohren empfohlen / Perforacion previa recomendada

Ø Vis / Ø Screw / Ø schraube / Ø Tornillo	Ø Percage / Ø Drilling / Ø Bohrung / Ø Perforacion
Ø 4 (1)	Ø 3

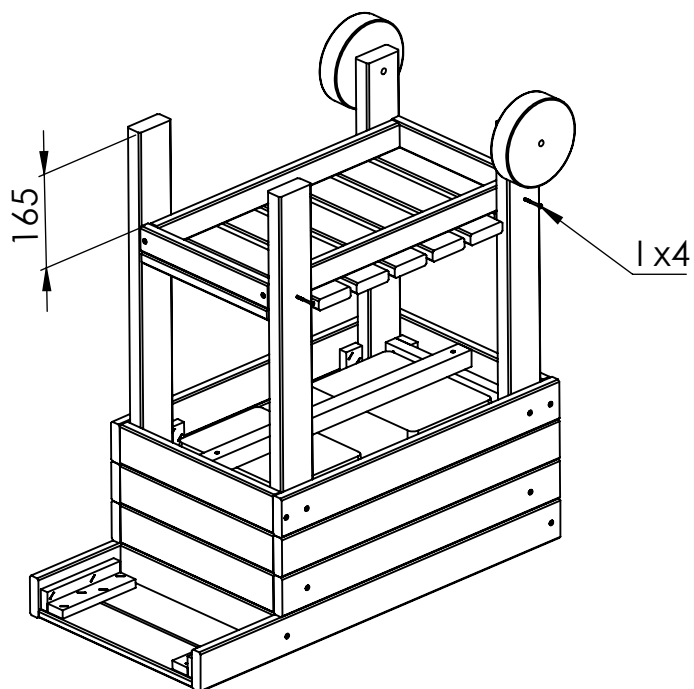
1/2

A  
C x2  
D x2



2/2

B











[www.forest-style.com](http://www.forest-style.com)

