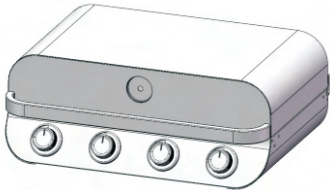
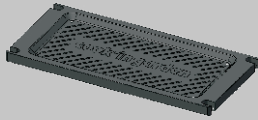


NO.	DESCRIPTION	QTY	NO.	DESCRIPTION	QTY
1		2	14		2
2		1	15		2
3		4	16		2
4		1	17		1
5		1	18		2
6		1	19		2
7		2	20		2
8		2	21		1
9		1	22		6
10		1	23		1
11		2	24		2
12		2	25		2
13		2	26		8

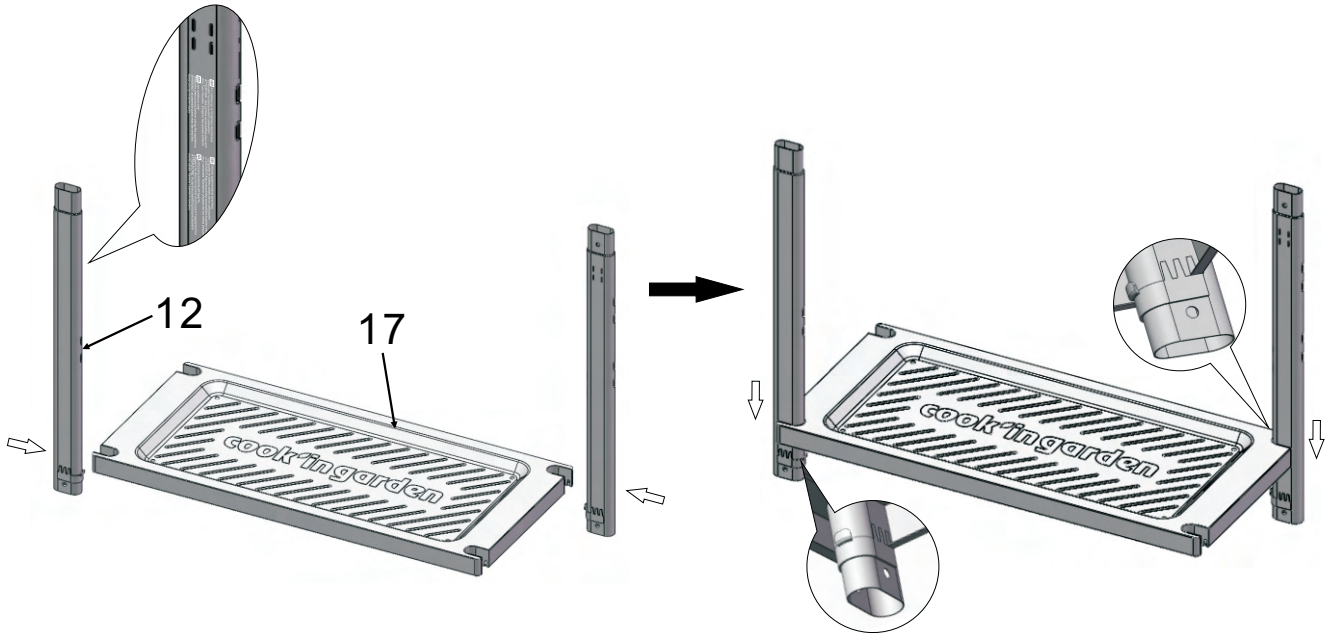
1



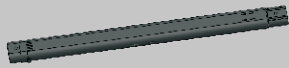
x1



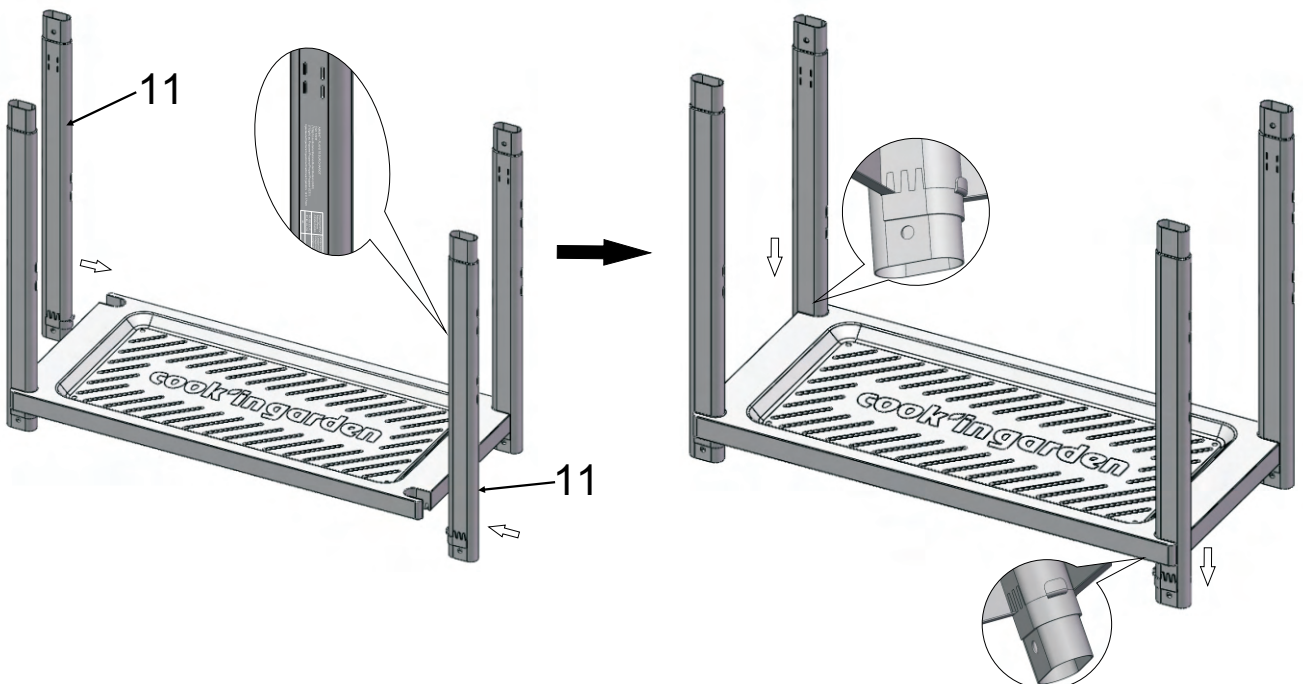
x2



2

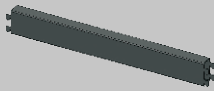


x2

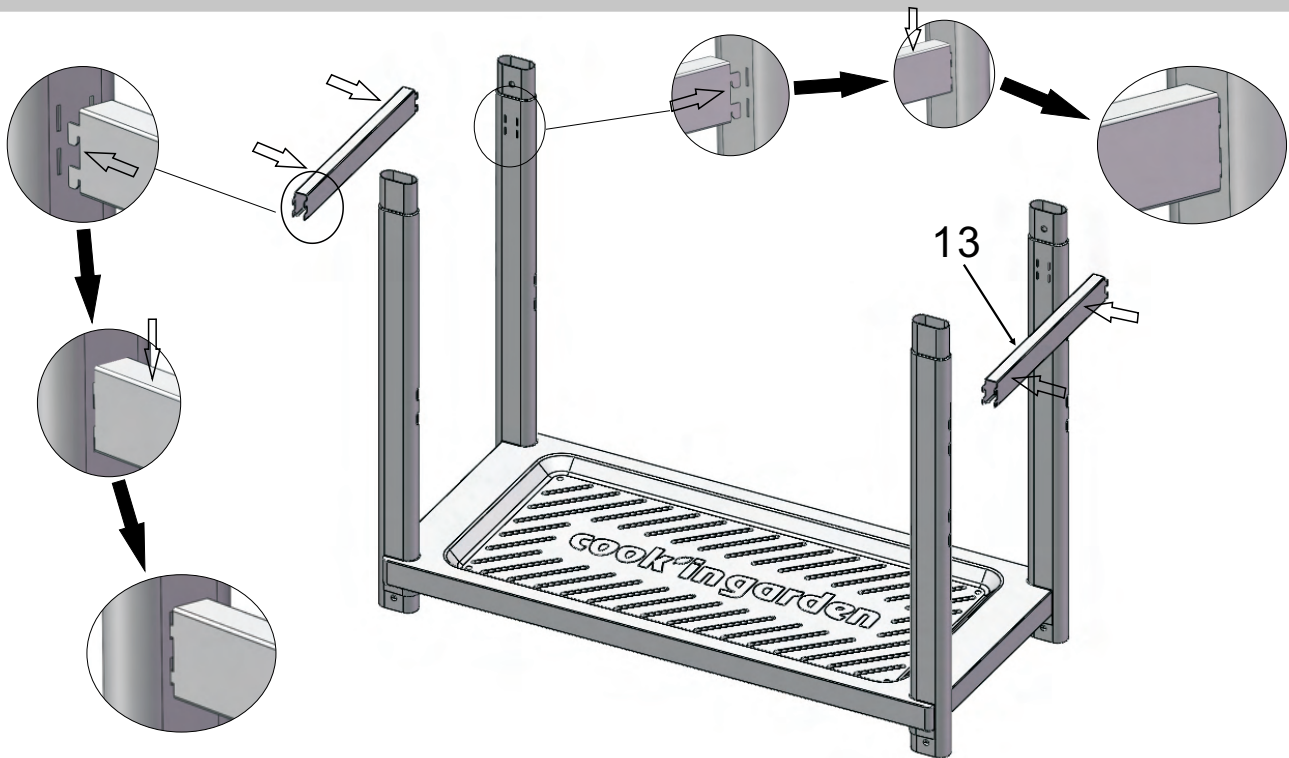




3



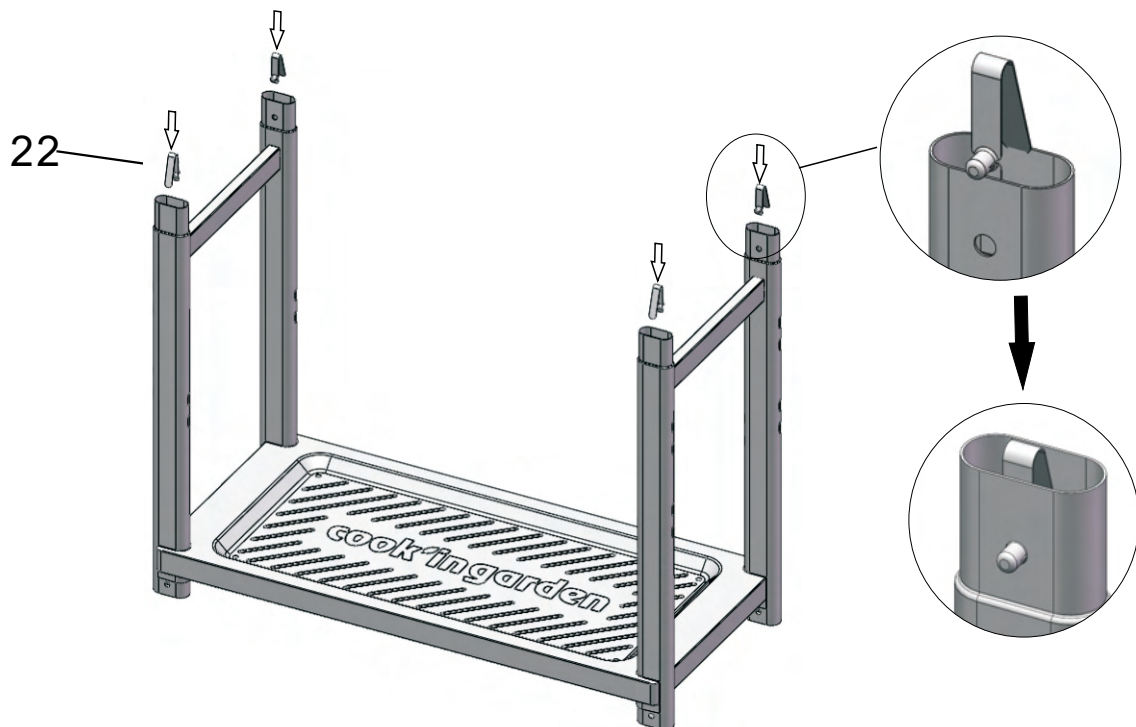
x2



4



x4



5



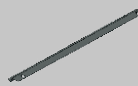
x1



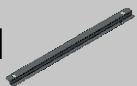
x2



x2



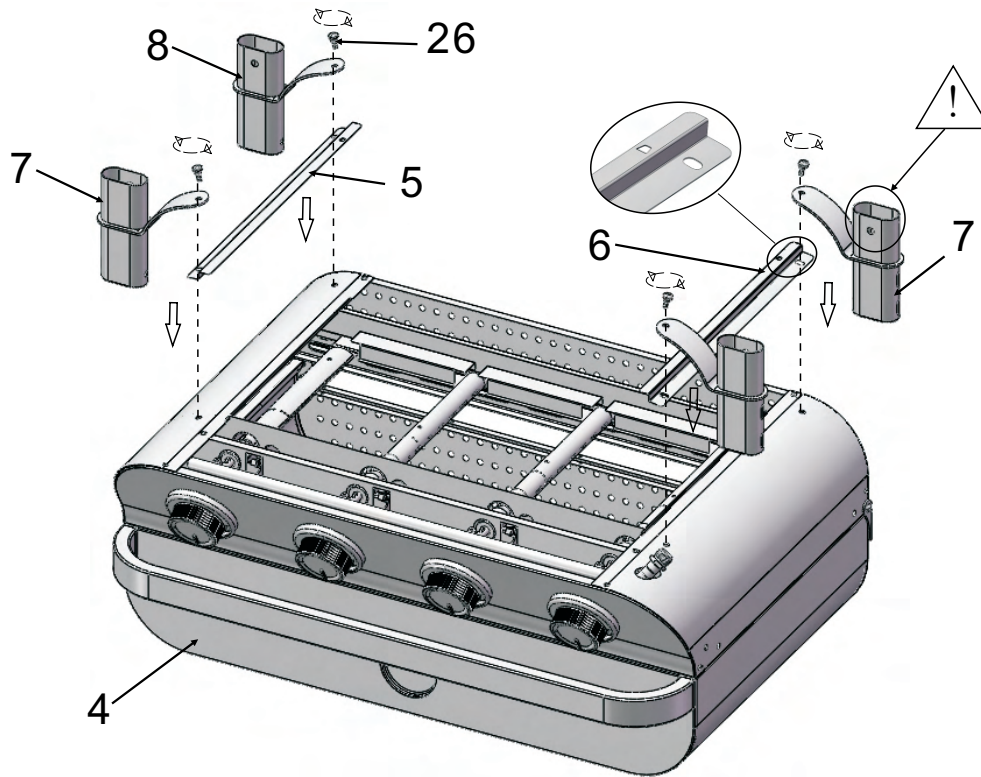
x1



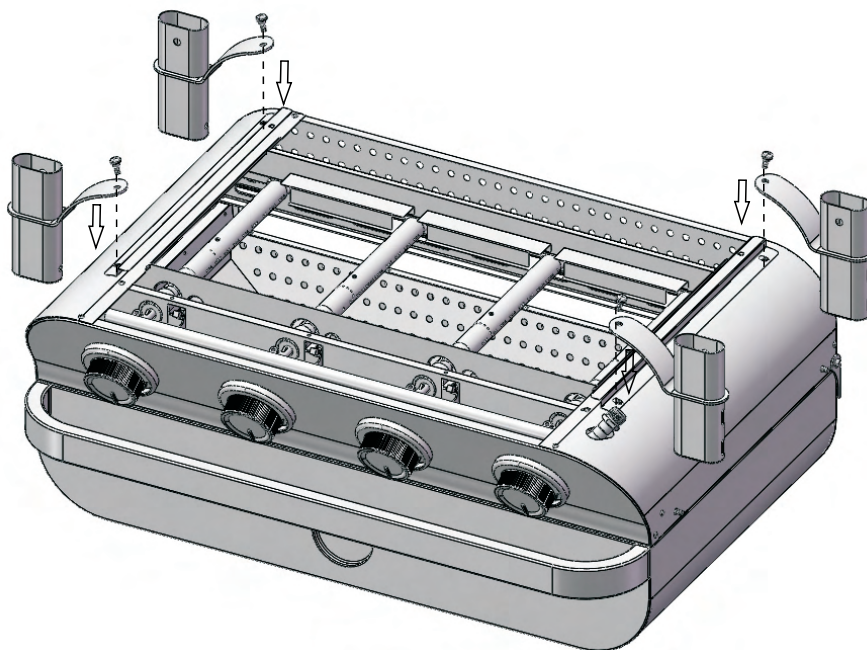
x1



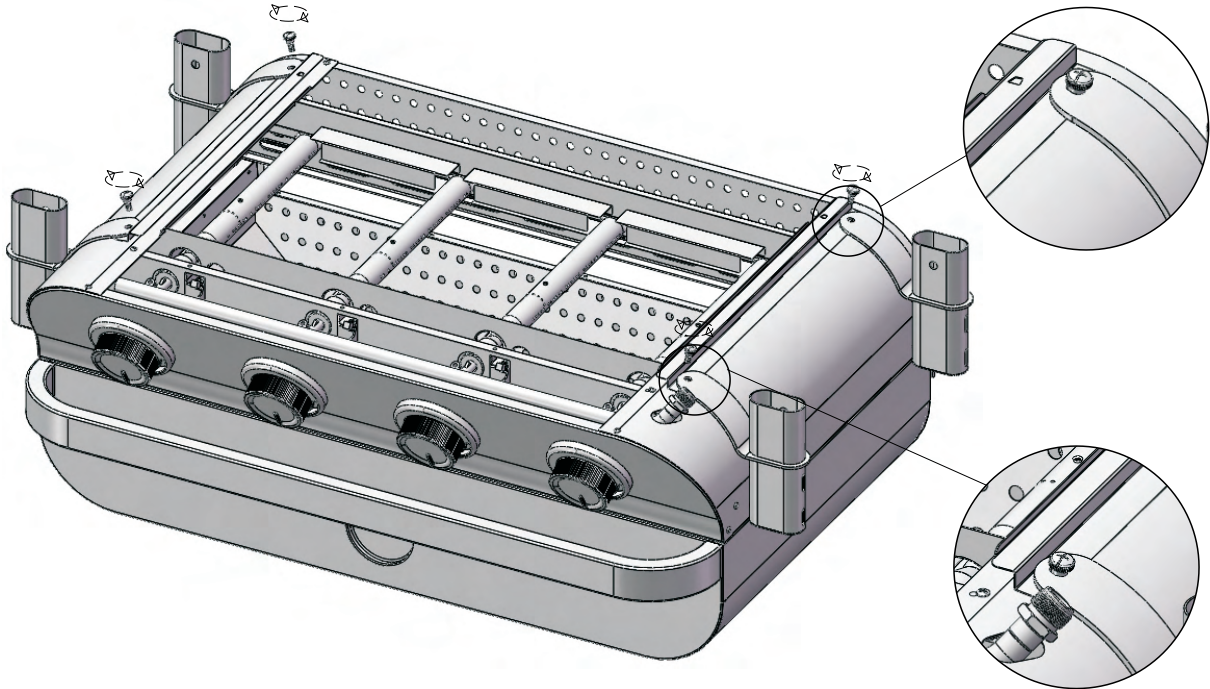
x4



5-1



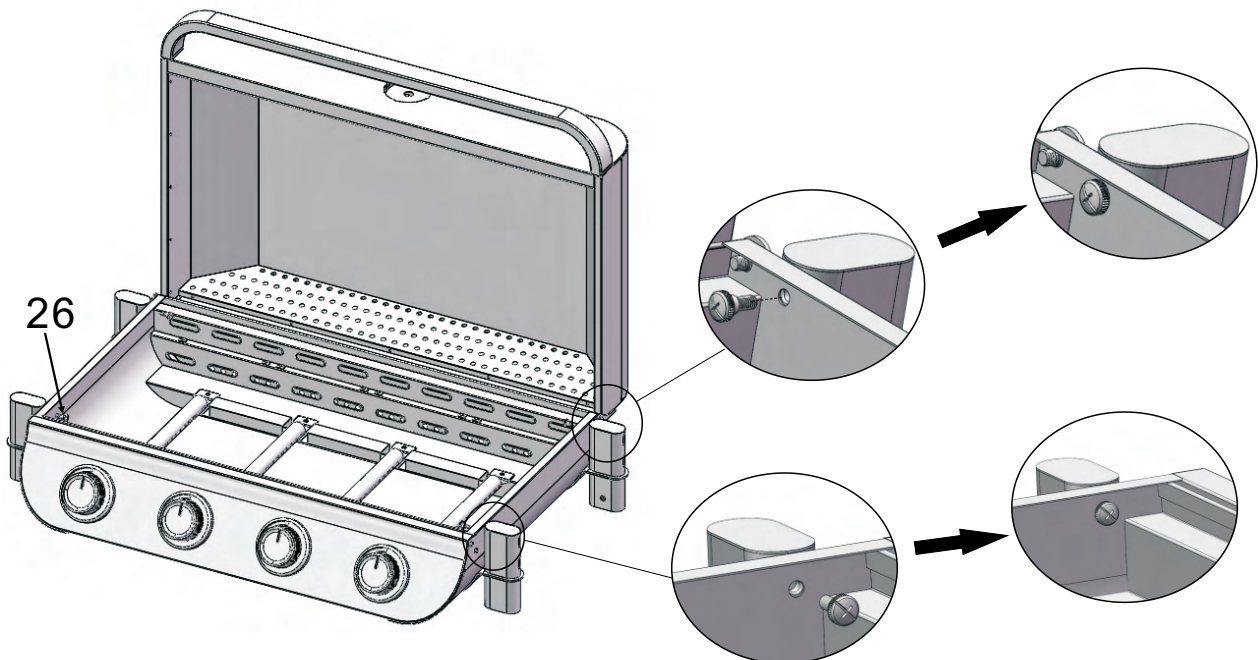
5-2



6

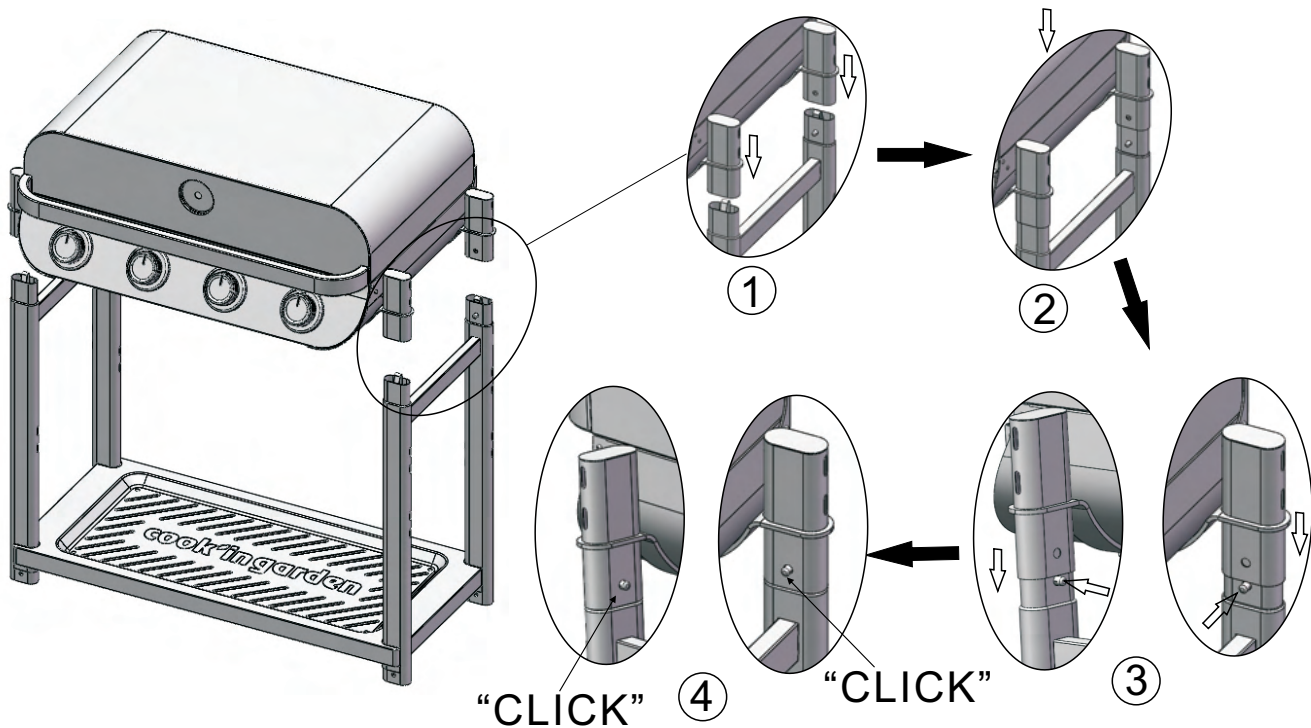


 x4

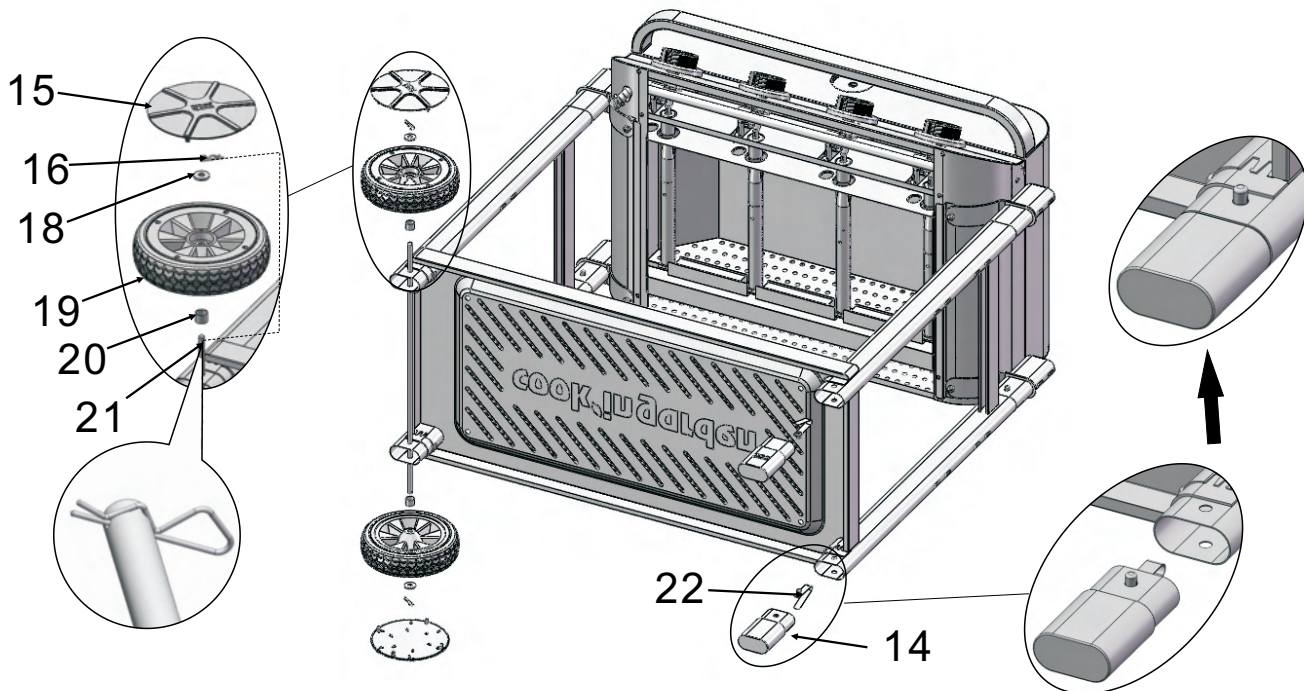
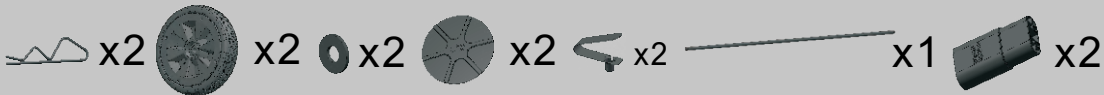




7

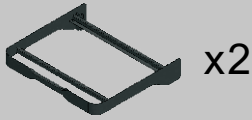


8

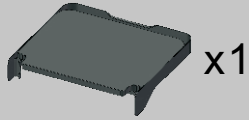




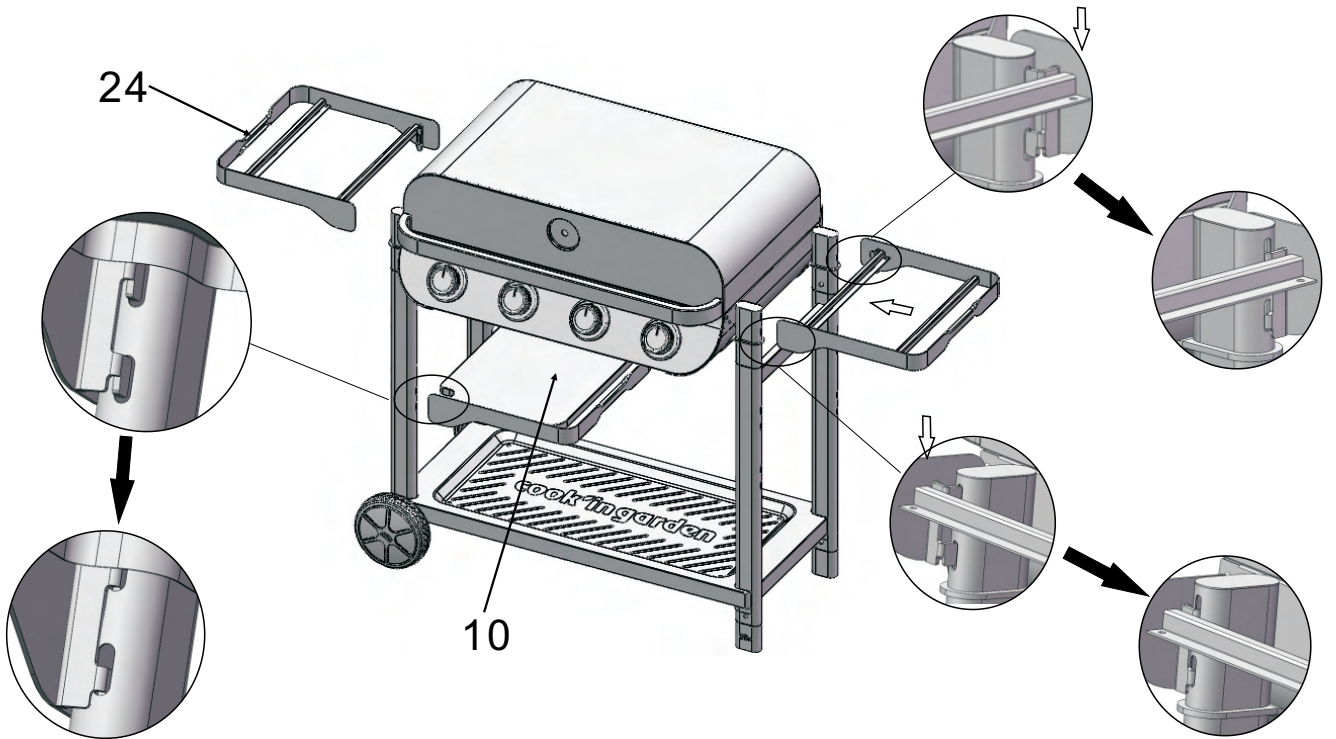
9



x2



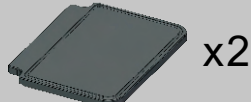
x1



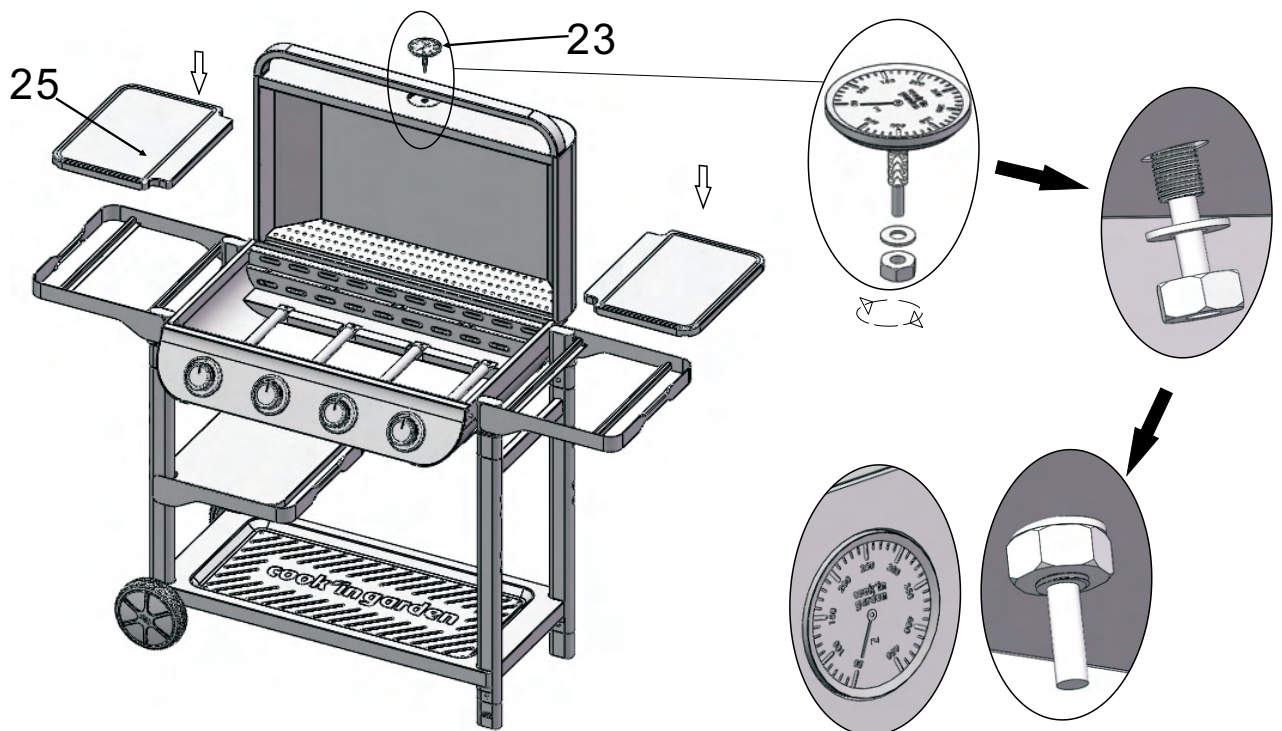
10



x1



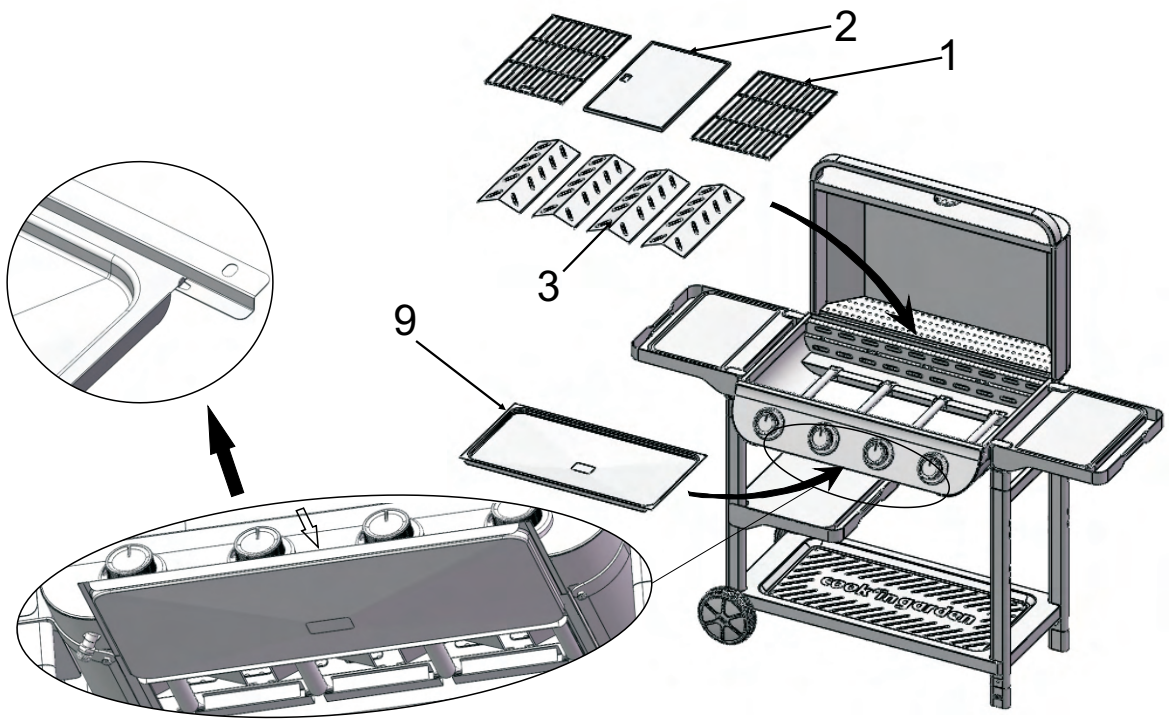
x2



11



- Grill grate x2
- Top panel x1
- Support clips x4
- Bottom panel x1



12

