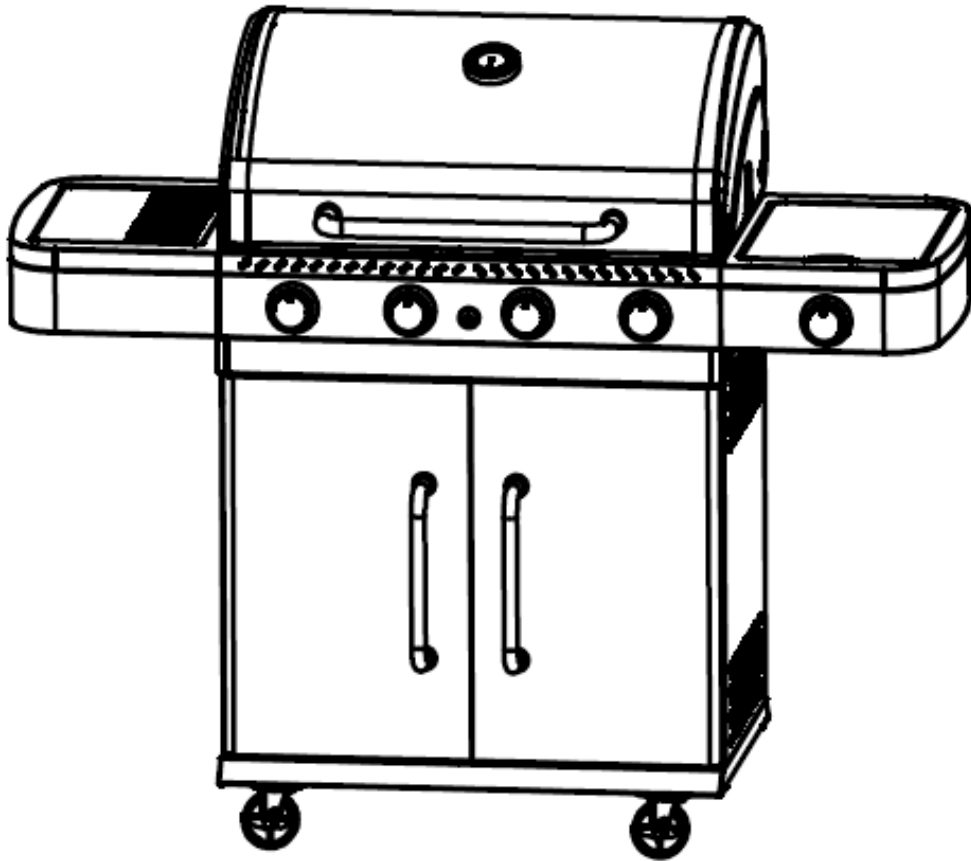

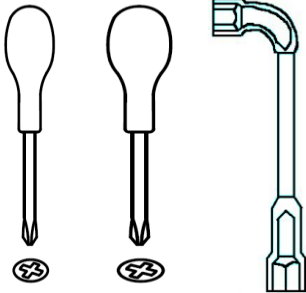

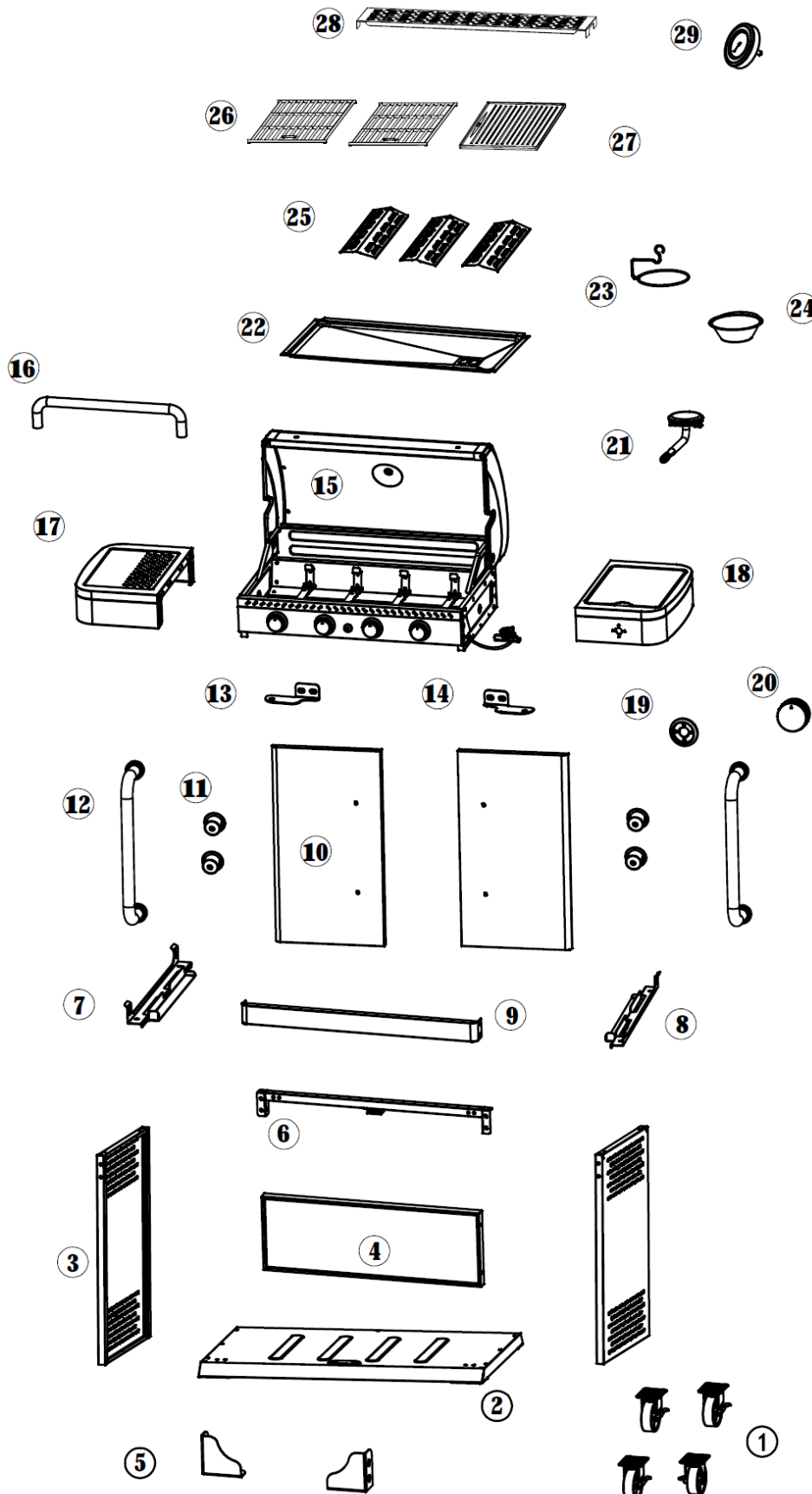


# FIDGI 4
















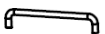


























		 <b>90min</b>
---	--	---

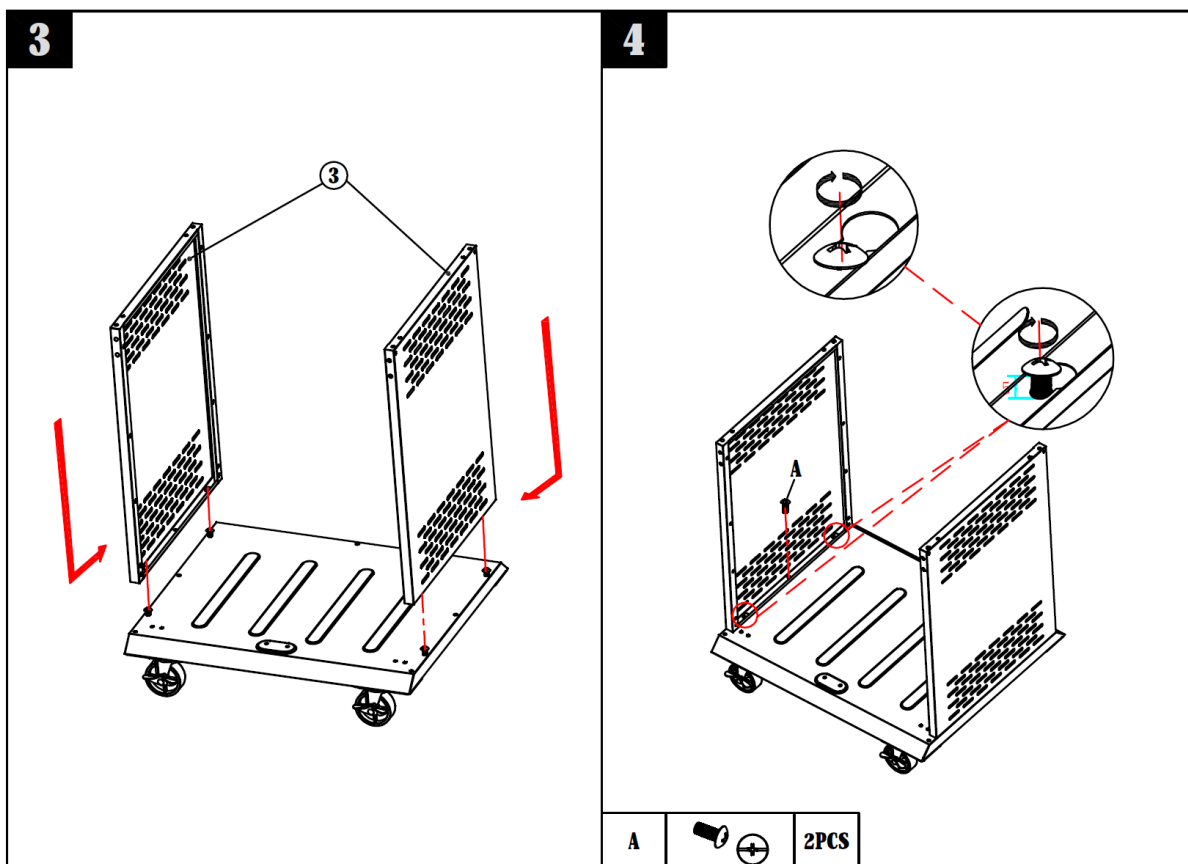
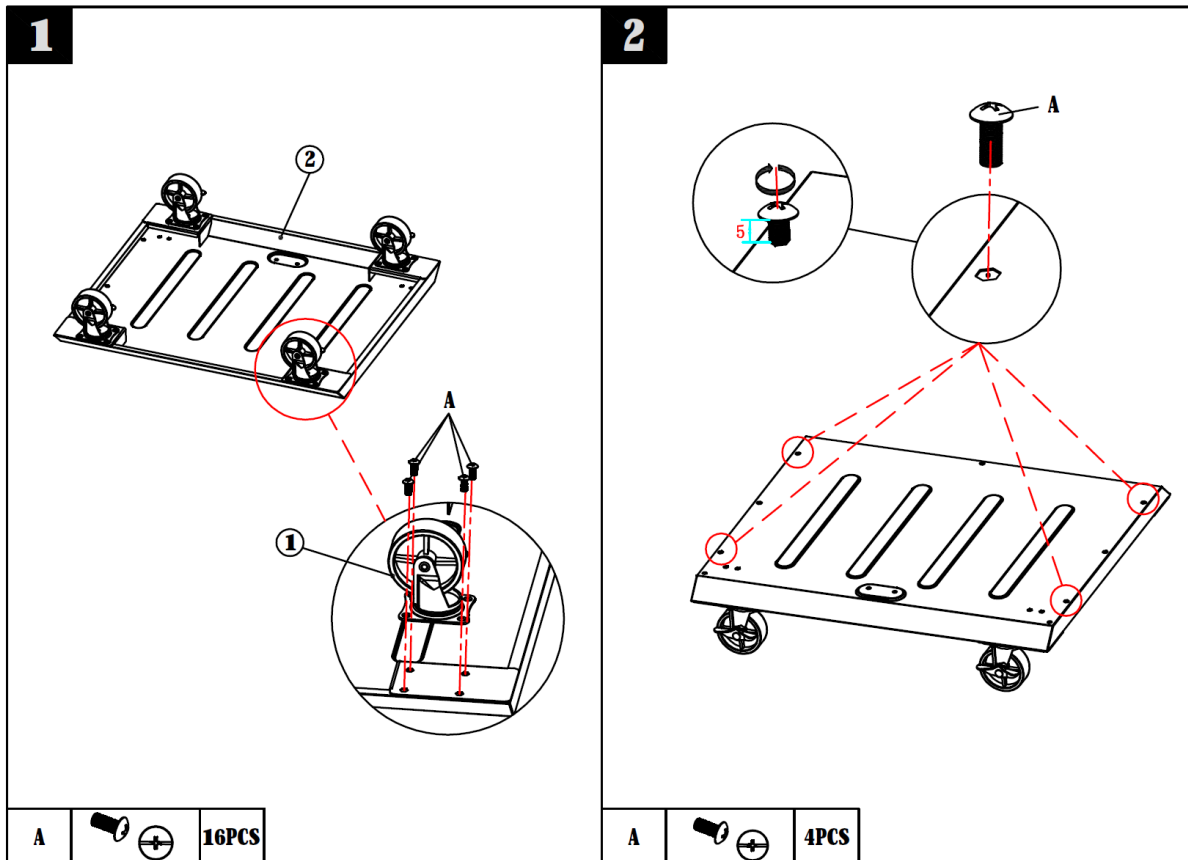
# FIDGI 4



# FIDGI 4

① *4 	② *1 	③ *2 
④ *1 	⑤ *2 	⑥ *1 
⑦ *1(L) 	⑧ *1(R) 	⑨ *1 
⑩ *2 	⑪ *4 	⑫ *2 
⑬ *1(L) 	⑭ *1(R) 	⑮ *1 
⑯ *1 	⑰ *1 	⑱ *1 
⑲ *1 	⑳ *1 	㉑ *1 
㉒ *1 	㉓ *1 	㉔ *1 
㉕ *3 	㉖ *2 	㉗ *1 
㉘ *1 	㉙ *1 	
A M5-10*49 	B M5-12*10 	C M4-8*6 
D M6-15*4 	E *1 	F *4 
G M4-8*8 	H M4-10*2 	I $\phi$ 28-2*1 
J M5-16*12 	K *2 	

# FIDGI 4



# FIDGI 4

**5**

A		5PCS
---	--	------

**6**

A		8PCS
---	--	------

**7**

C		2PCS
E		1PC

**8**

A		2PCS
B		6PCS

# FIDGI 4

**9**

B

B		4PCS
---	--	------

**10**

D

D		4PCS
---	--	------

**11**

F

F		4PCS
---	--	------

**12**

# FIDGI 4

### 13

G

### 14

A

9

G		4PCS
A		4PCS
G		4PCS

### 15

5

C

### 16

16

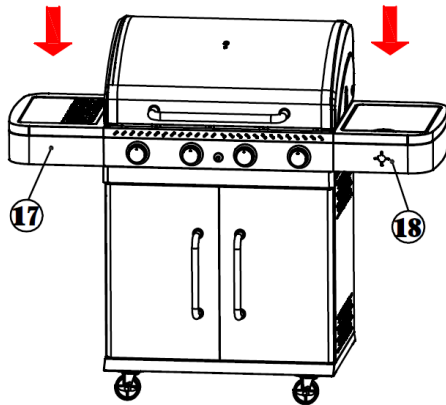
K

J

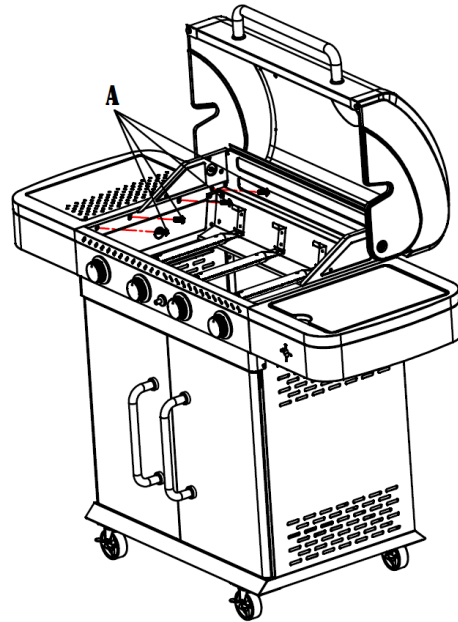
J		4PCS
J		2PCS
K		2PCS

# FIDGI 4

17

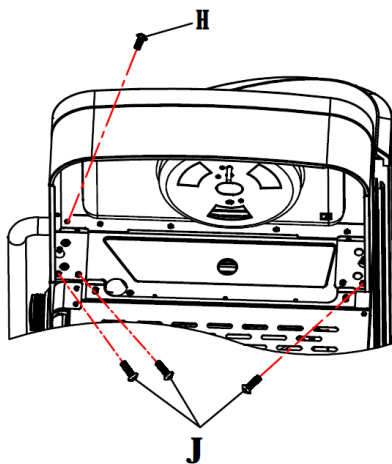


18



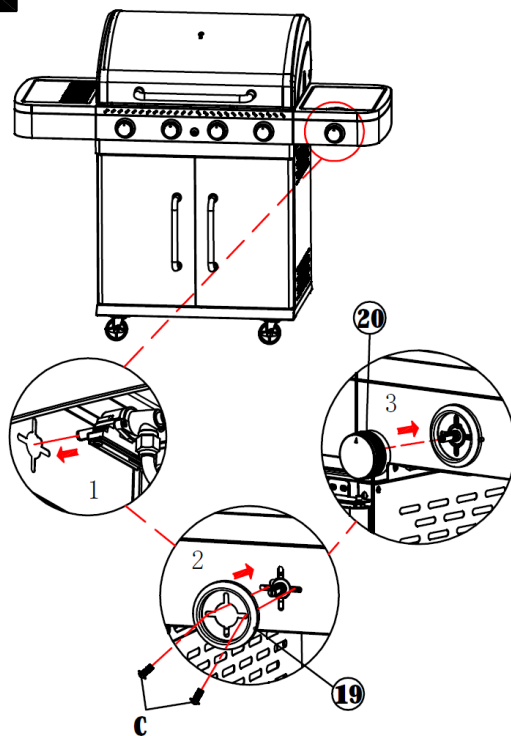
A		8PCS
---	--	------

19



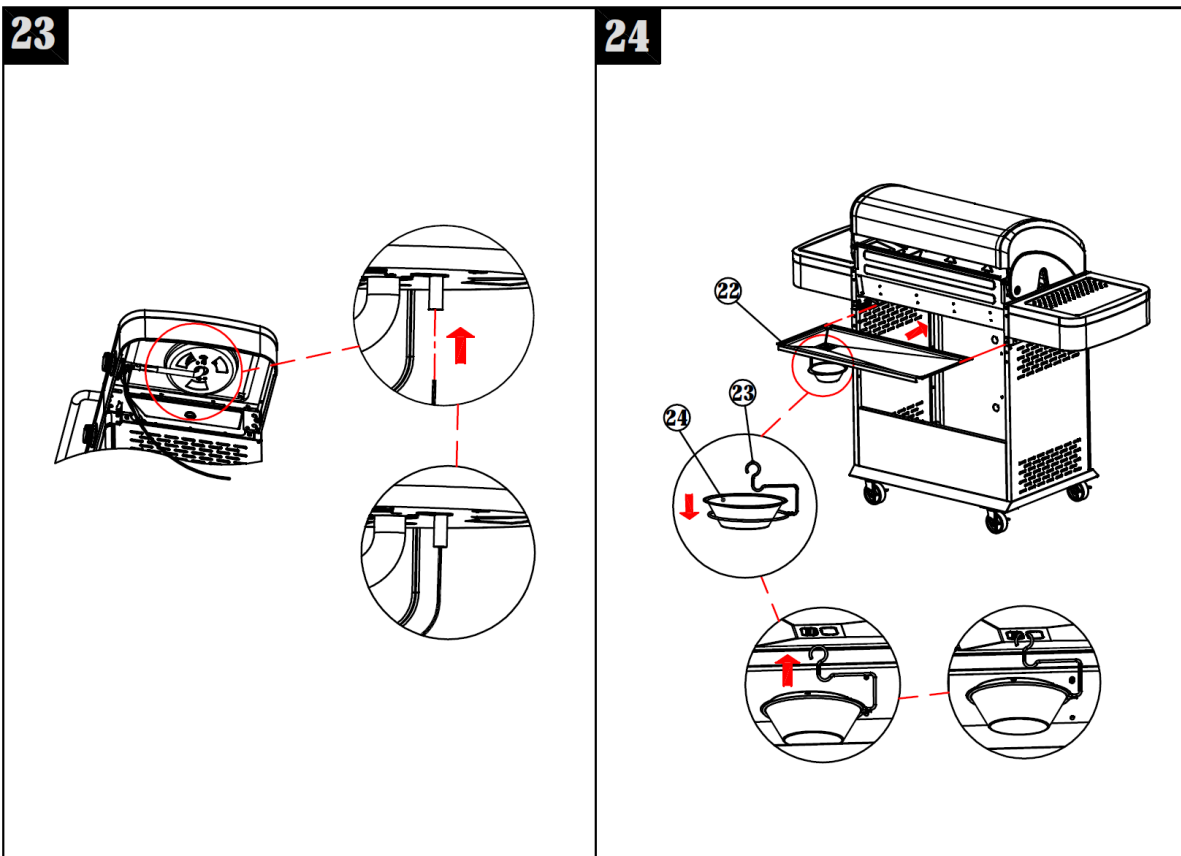
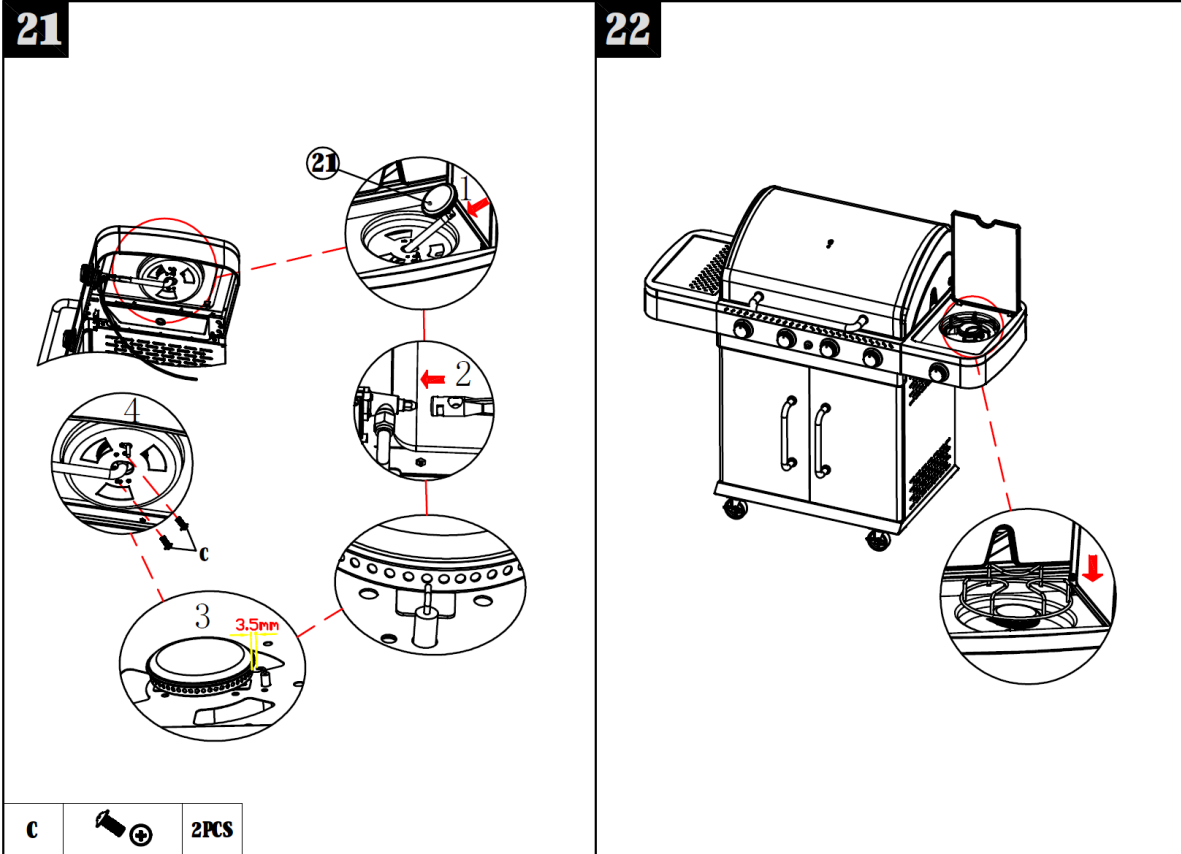
H		2PCS
J		6PCS

20

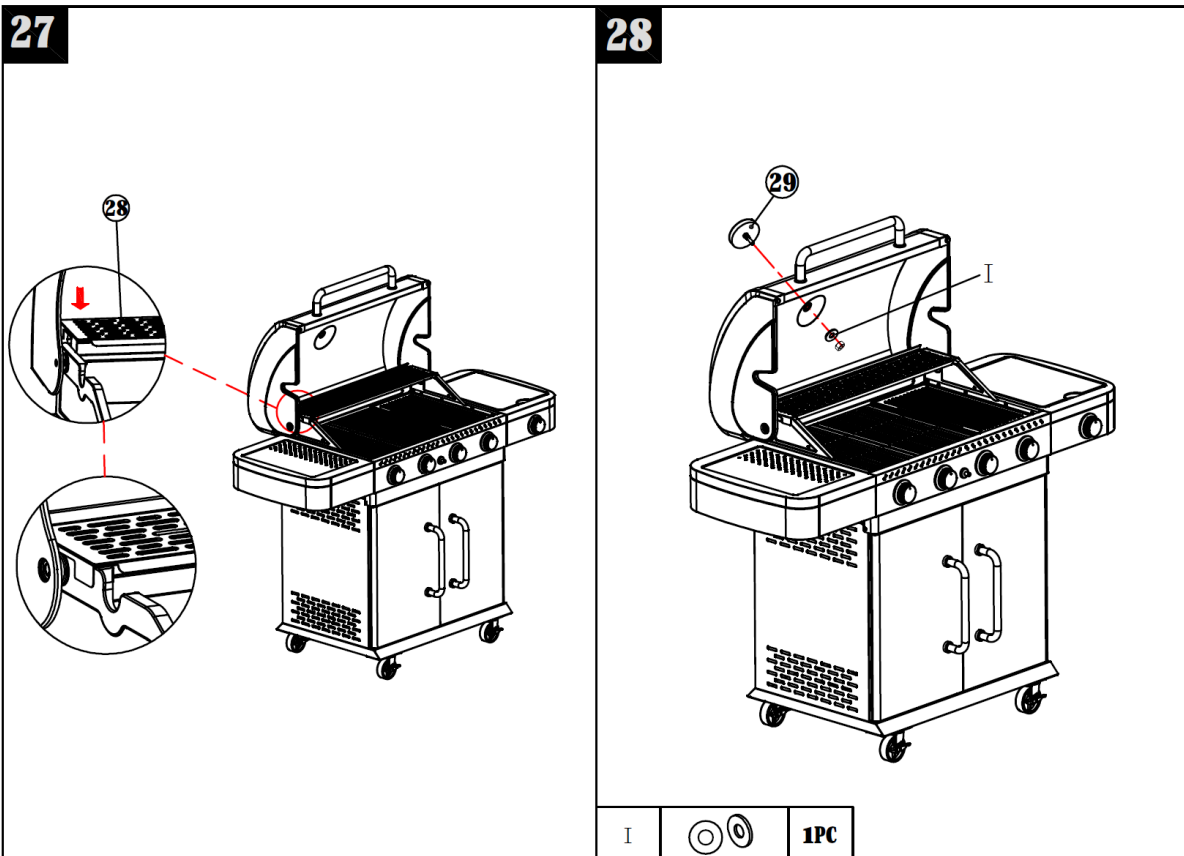
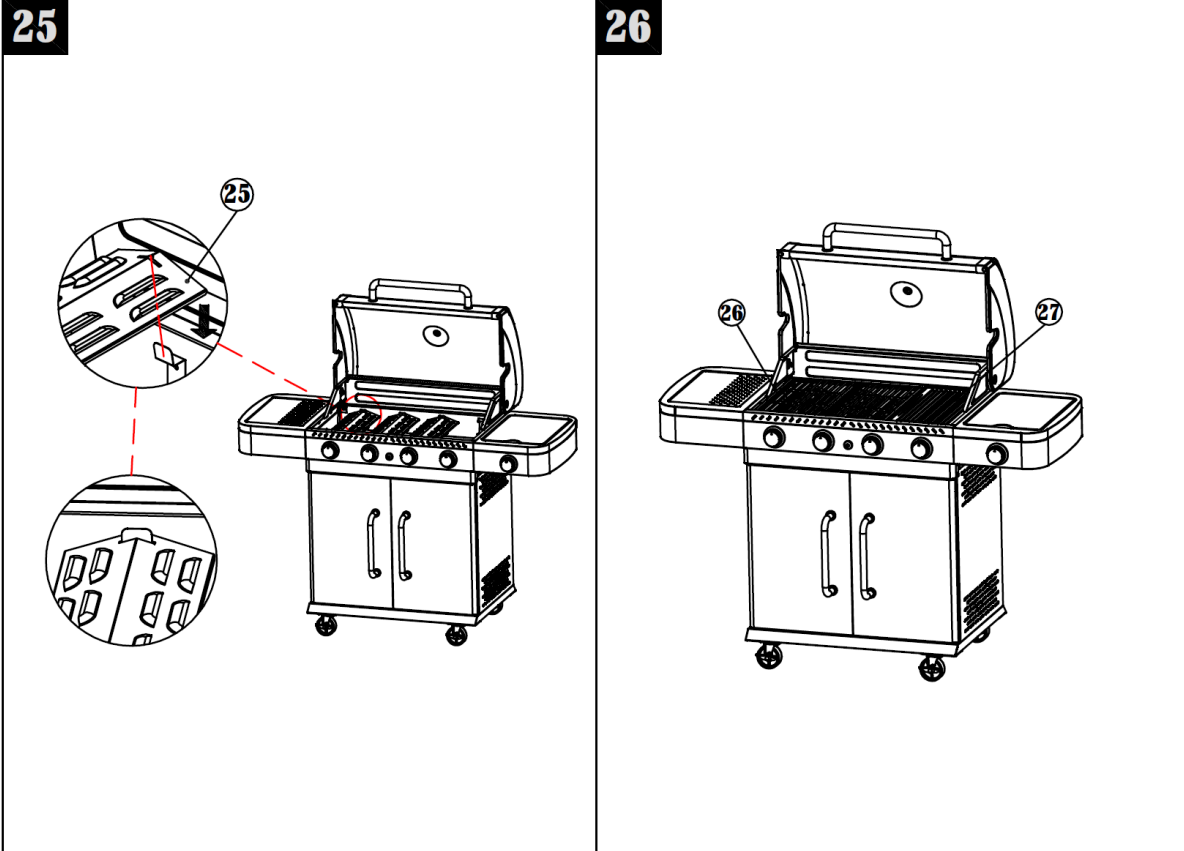


C		2PCS
---	--	------





# FIDGI 4



I © IPC

29

