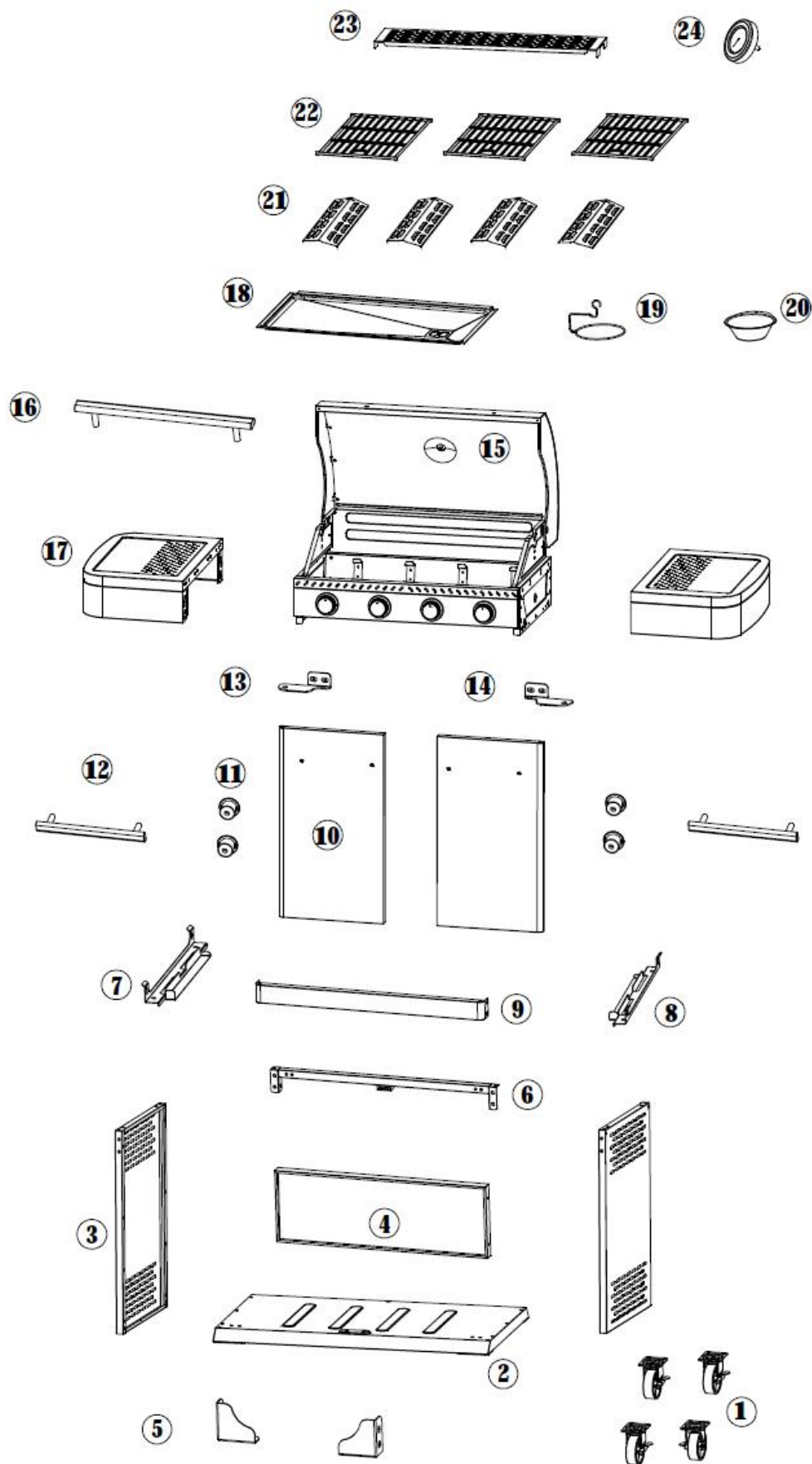



































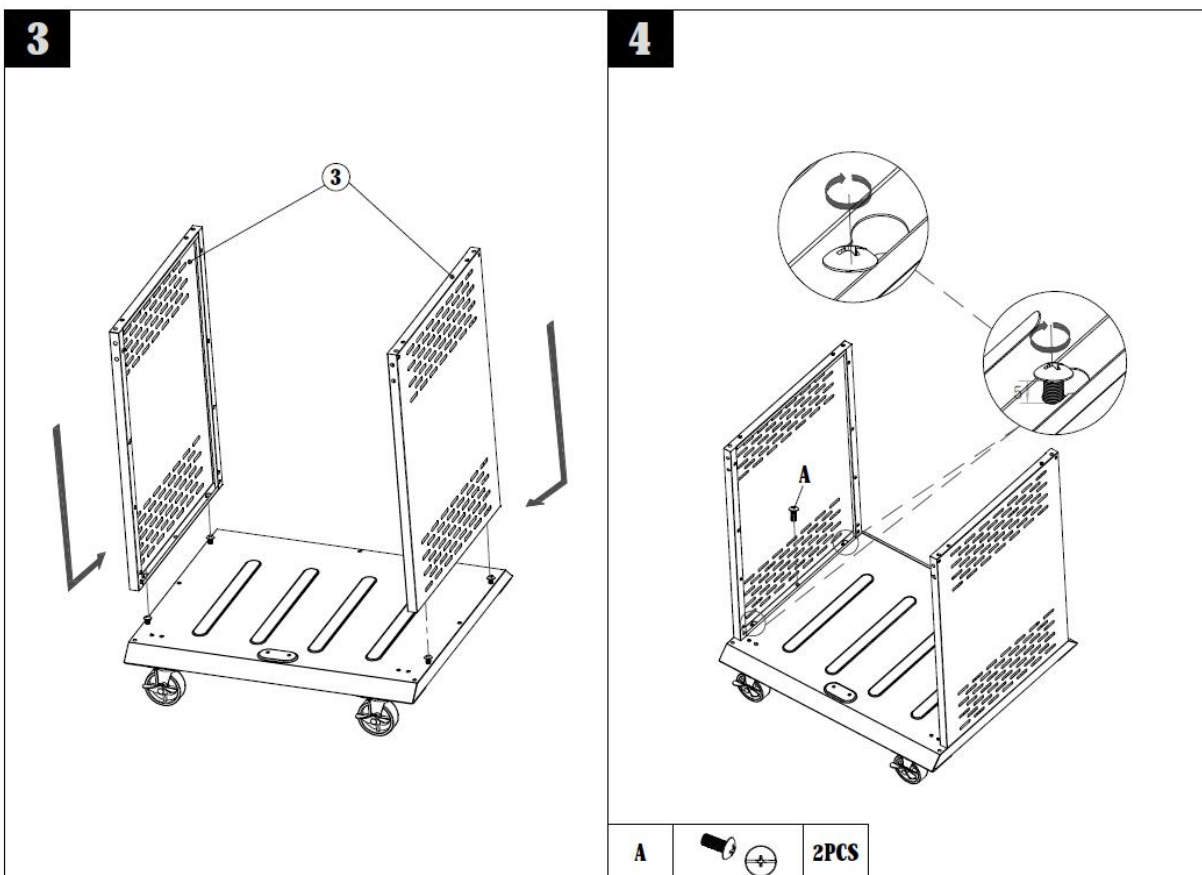
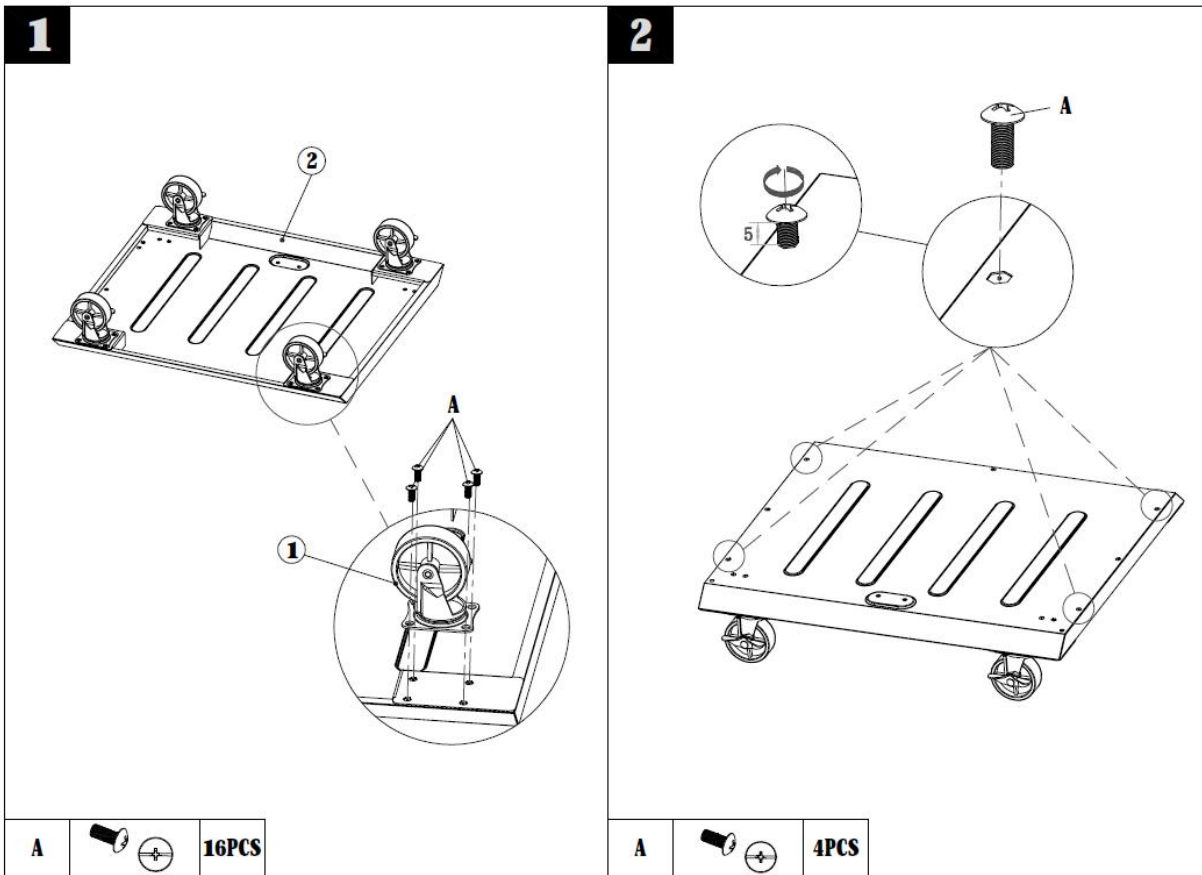
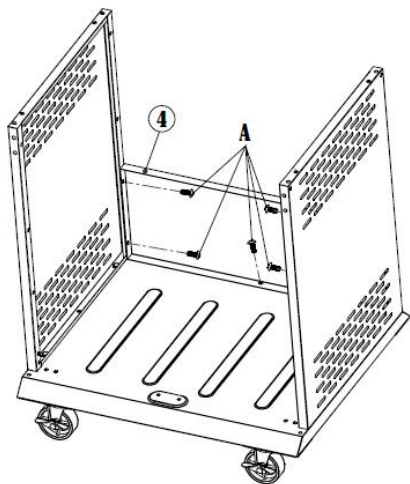
 3h
---	---	--




① *4 	② *1 	③ *2 
④ *1 	⑤ *2 	⑥ *1 
⑦ *1(L) 	⑧ *1(R) 	⑨ *1 
⑩ *2 	⑪ *4 	⑫ *2 
⑬ *1(L) 	⑭ *1(R) 	⑮ *1 
⑯ *1 	⑰ *2 	⑱ *1 
⑲ *1 	⑳ *1 	㉑ *4 
㉒ *3 	㉓ *1 	㉔ *1 
A M5-10*49 	B M5-12*10 	C M4-8*2 
D M6-15*6 	E *1 	F *4 
G M4-8*8 	H M4-10*2 	I ϕ 28-2*1 
J M5-16*10 	K *2 	

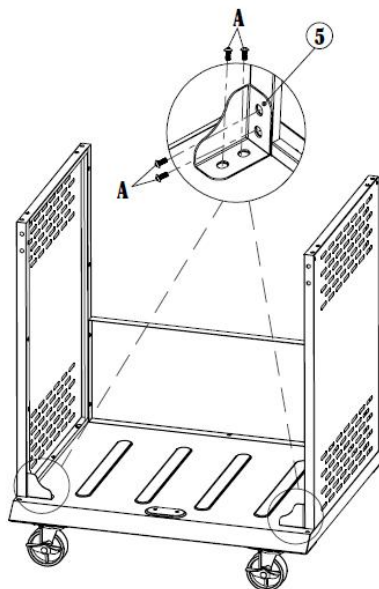


5



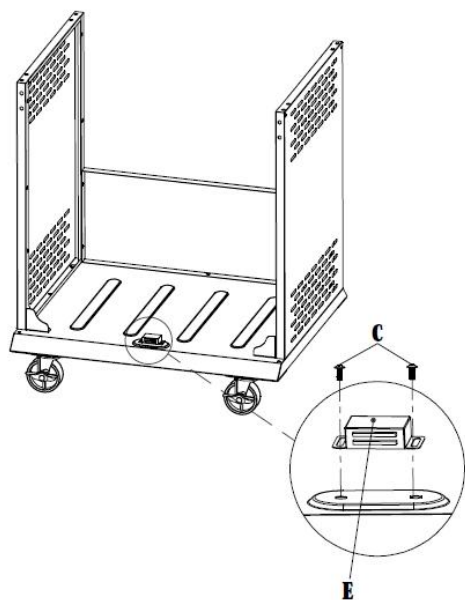
A		5PCS
---	---	------

6



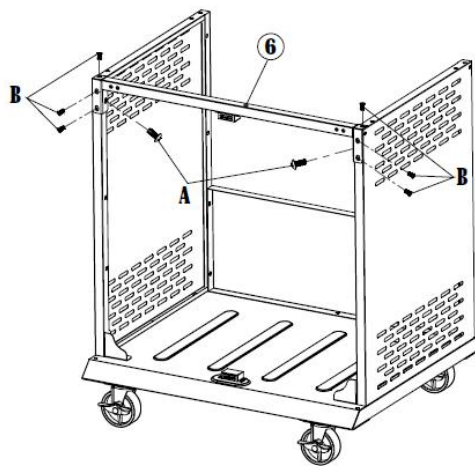
A		8PCS
---	---	------



7

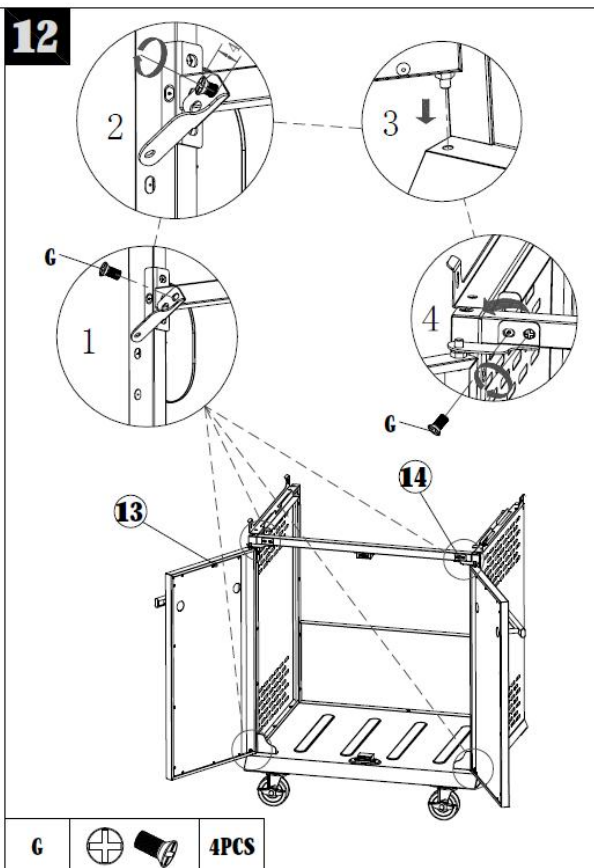
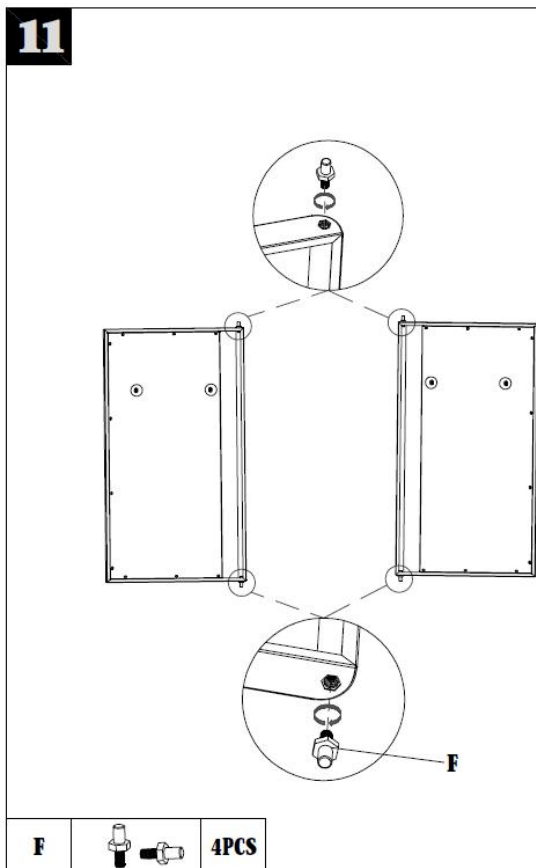
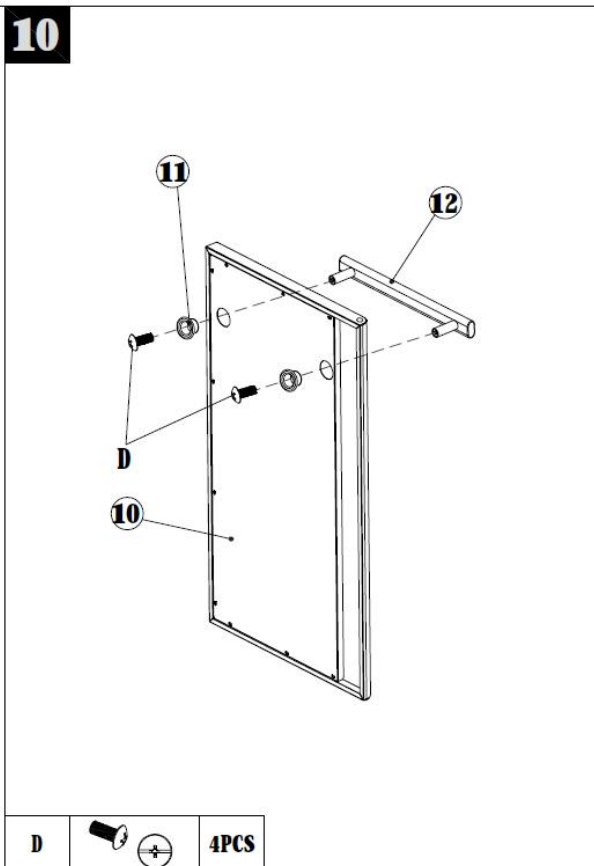
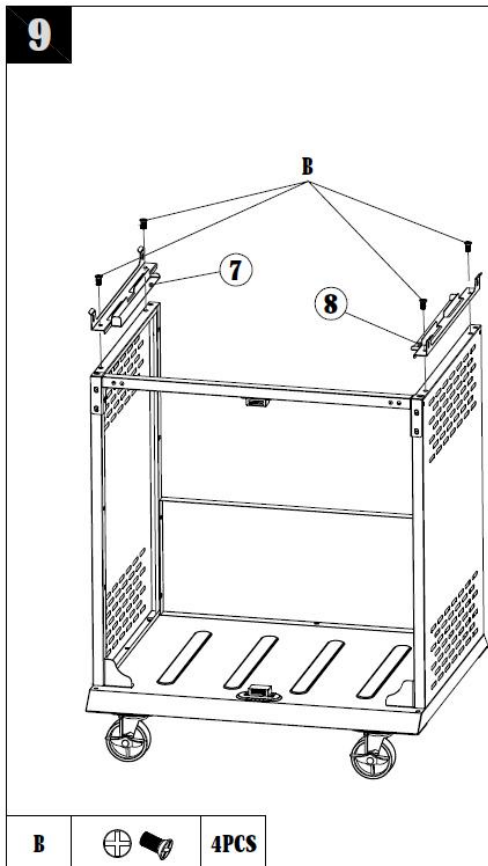


C		2PCS
E		1PC

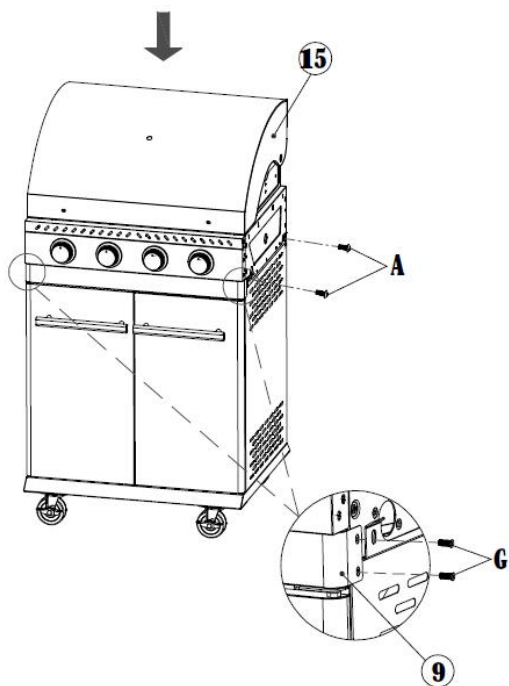
8



A		2PCS
B		6PCS

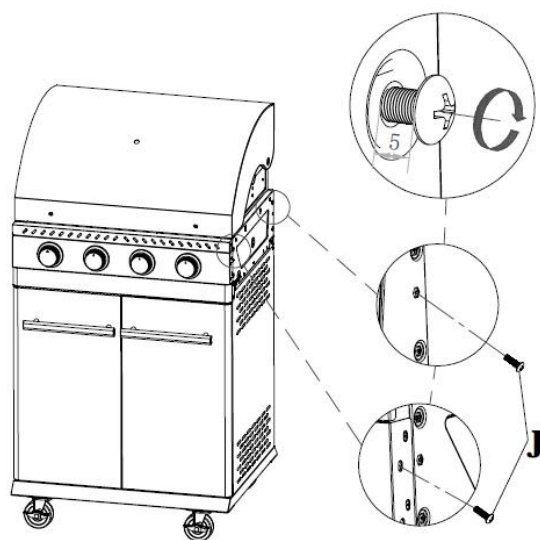


13



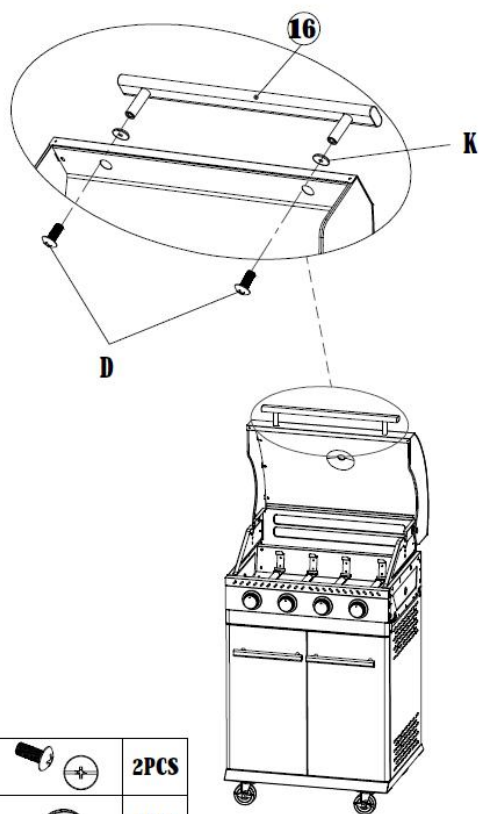
A		4PCS
G		4PCS

14



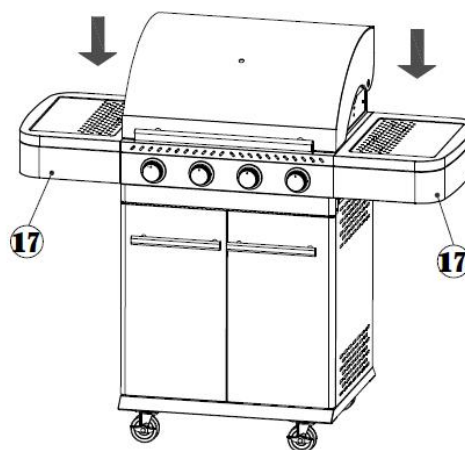
J		4PCS
---	--	------

15

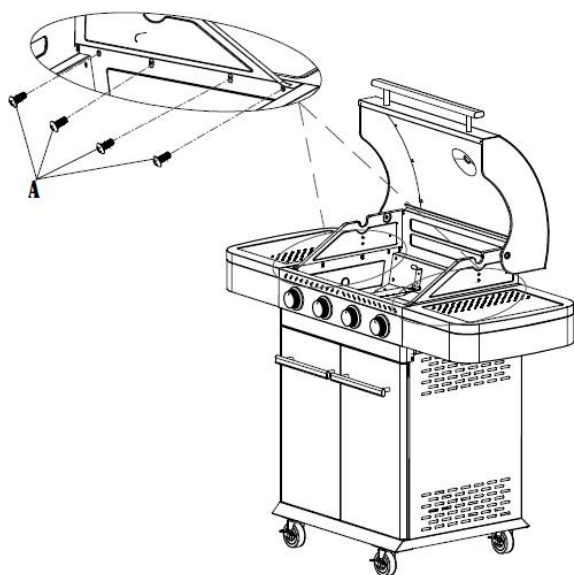


D		2PCS
K		2PCS

16

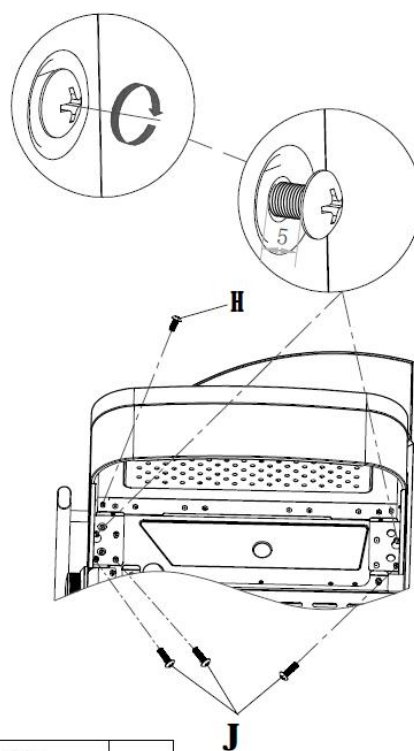


17



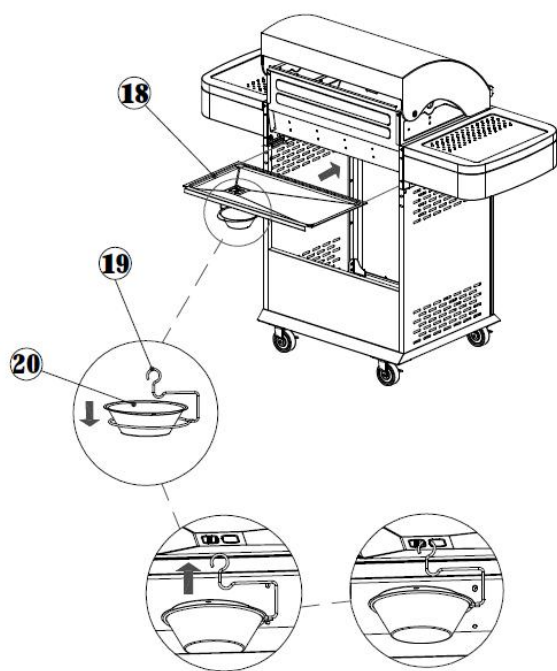
A		8PCS
---	--	------

18

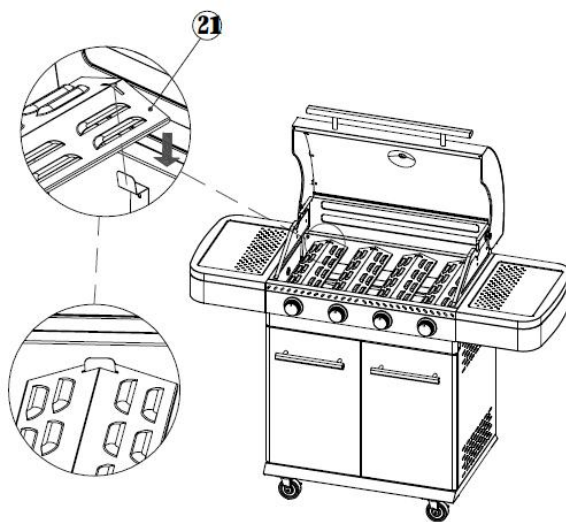


H		2PCS
J		6PCS

19



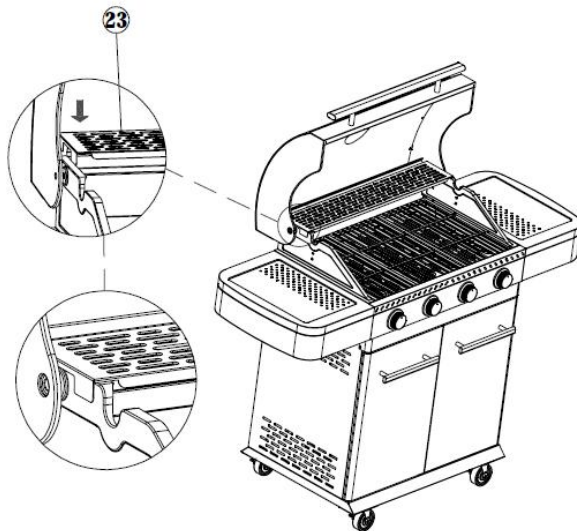
20



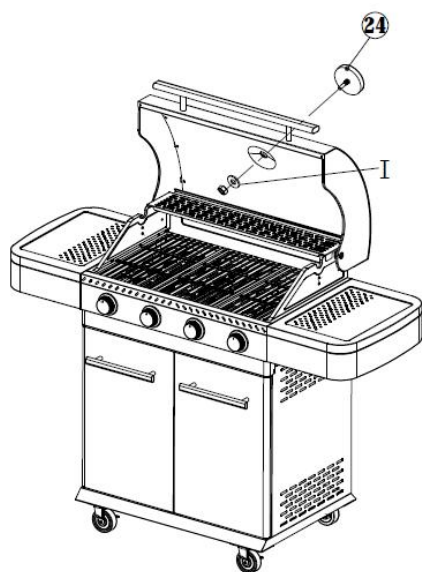
21



22



23



24

