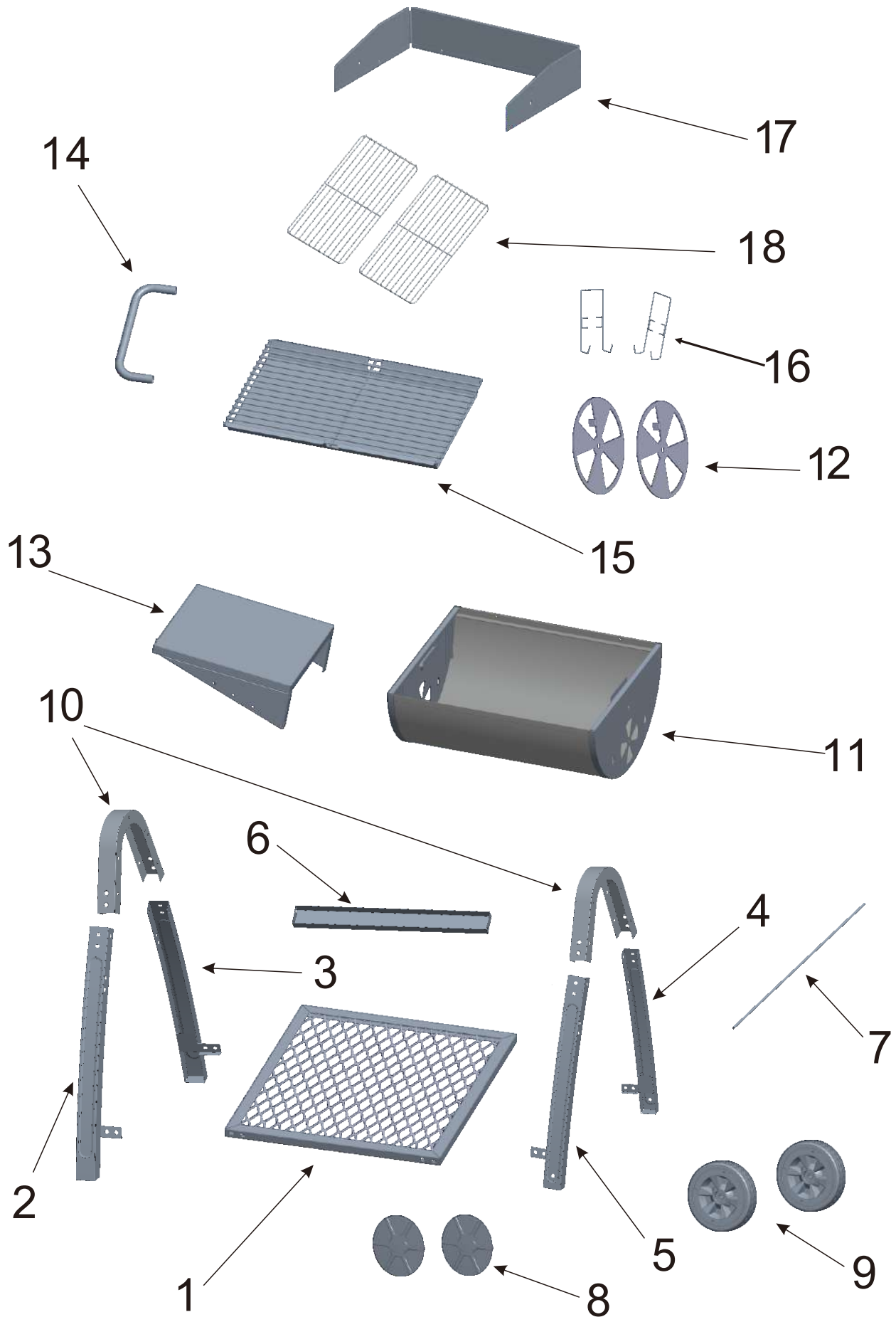




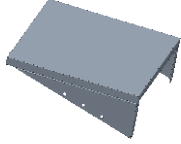

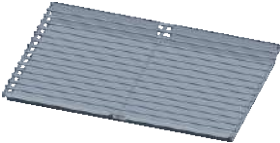


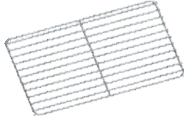



PH2



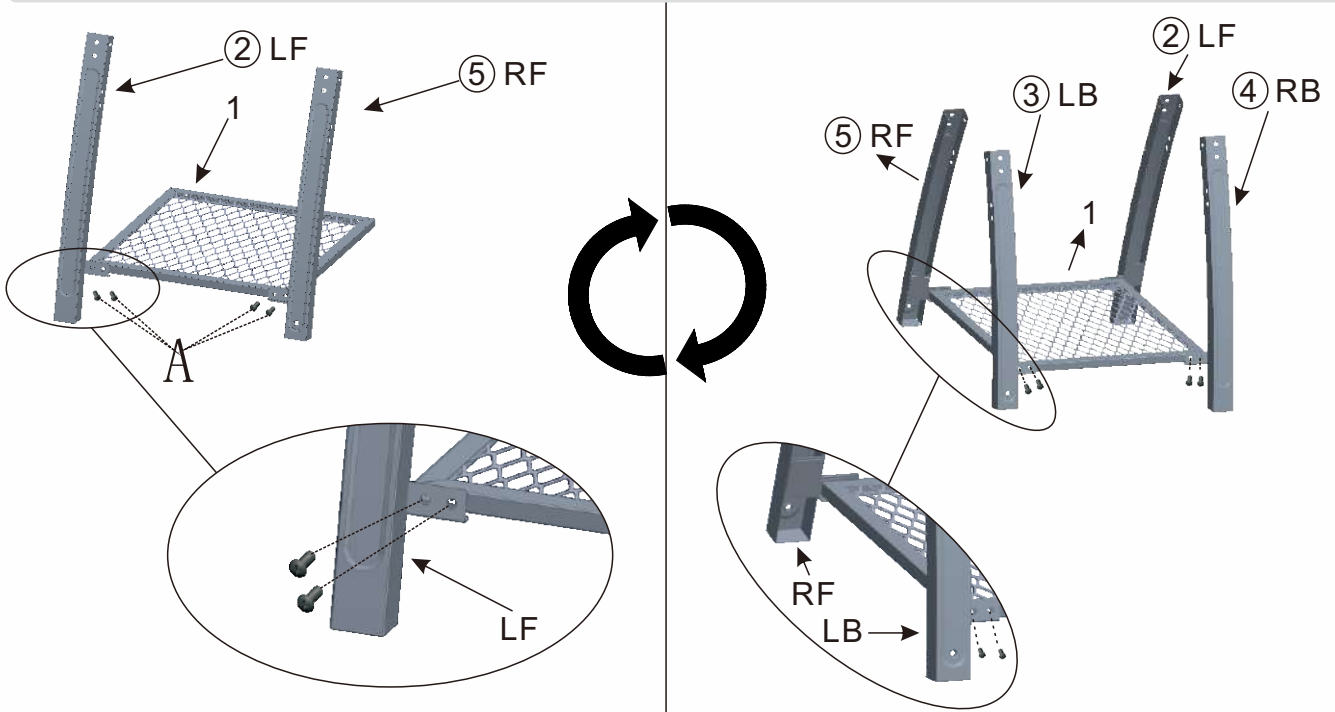


NO.	DESCRIPTION	QTY
1		1
2	 LF	1
3	 LB	1
4	 RB	1
5	 RF	1
6		1
7		1
8		2
9		2
10		2
11		1
12		2

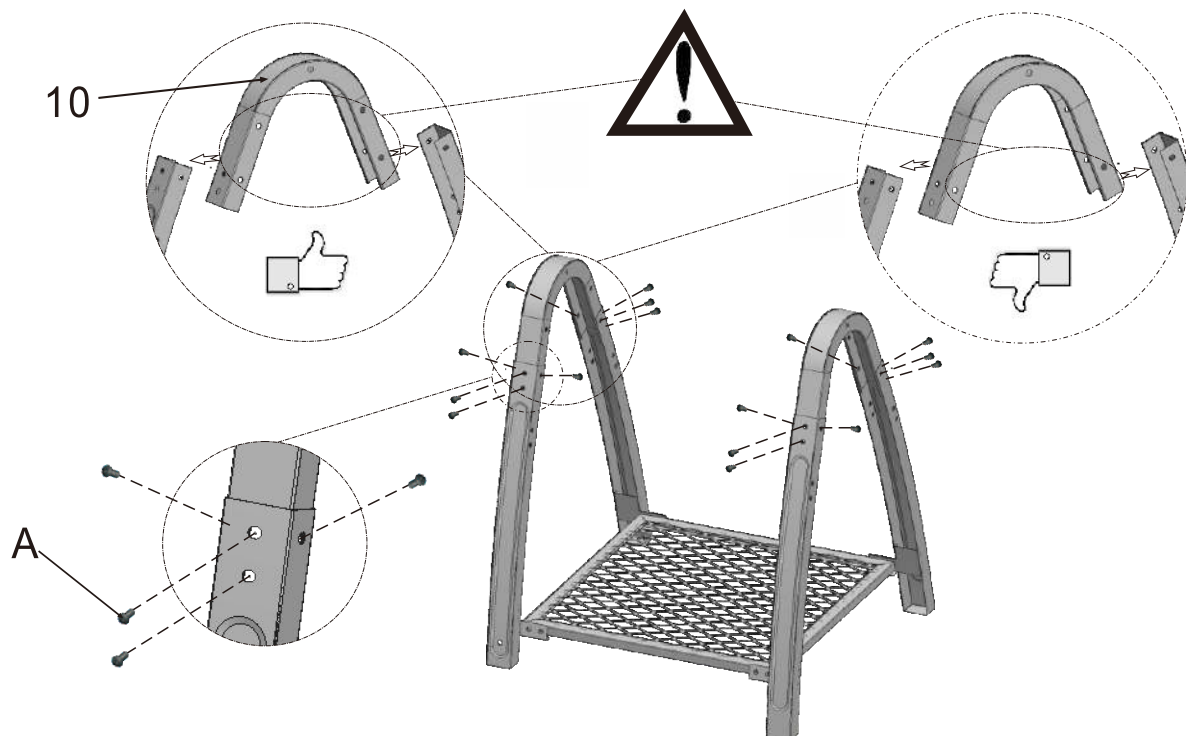
NO.	DESCRIPTION	QTY
13		1
14		1
15		1
16		2
17		1
18		2

NO.	DESCRIPTION	SPEC	QTY
A		M6x12	42 PCS
B		M4 x 8	6 PCS
C			2 PCS
D		M4	2 PCS
E		Φ1.5 x 28	2 PCS
F		M6	2 PCS

- 1   x1  LFX1  RFX1  RBX1  LBX1  Ax8



- 2   x2  Ax16



3



x2



x2

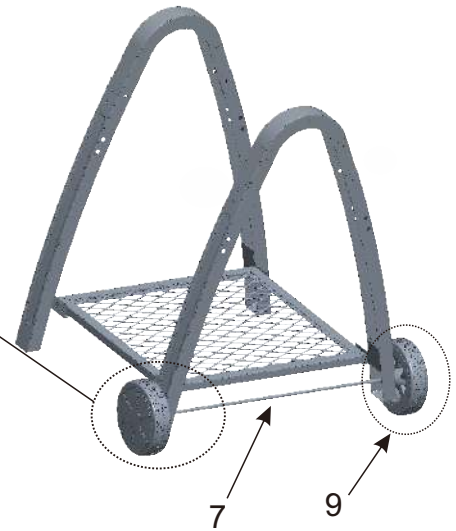
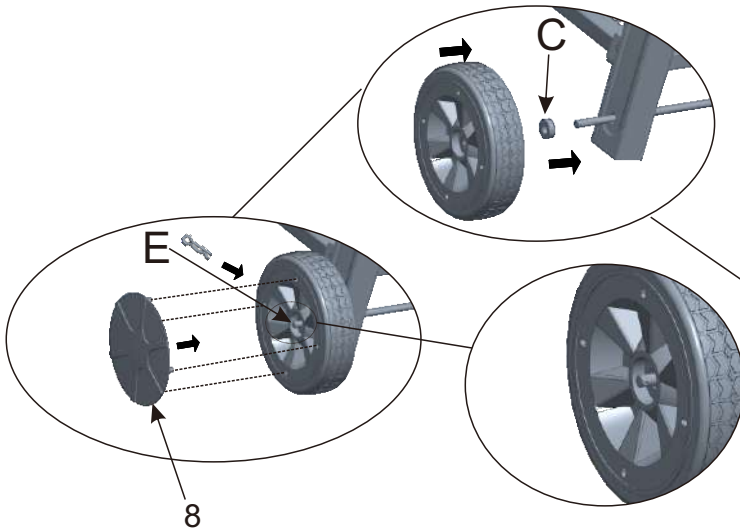
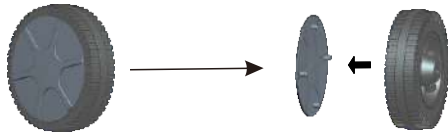
x1



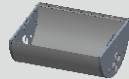
C x2



E x2



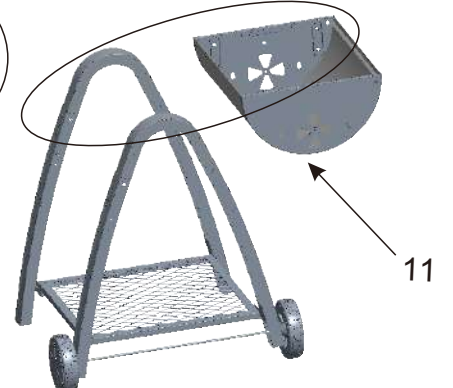
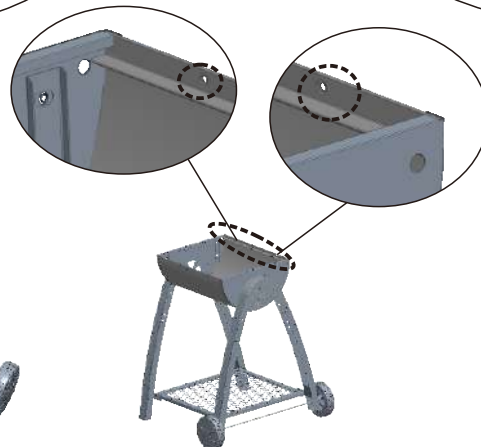
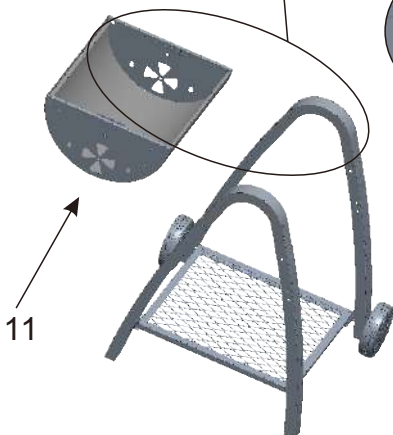
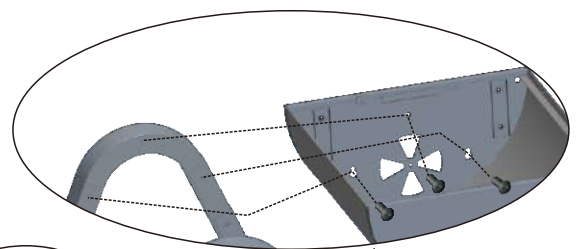
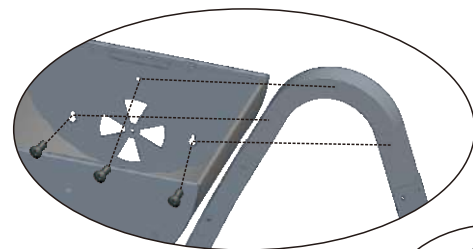
4



x1



A x 6



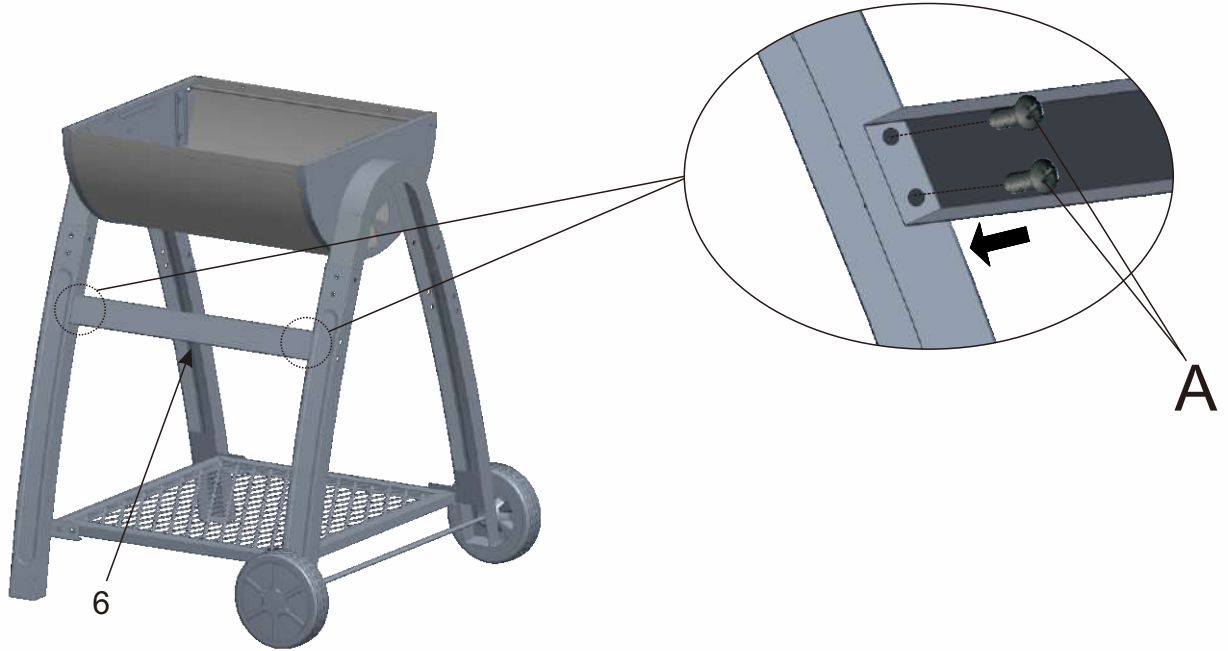
5



x1



A x 4



6



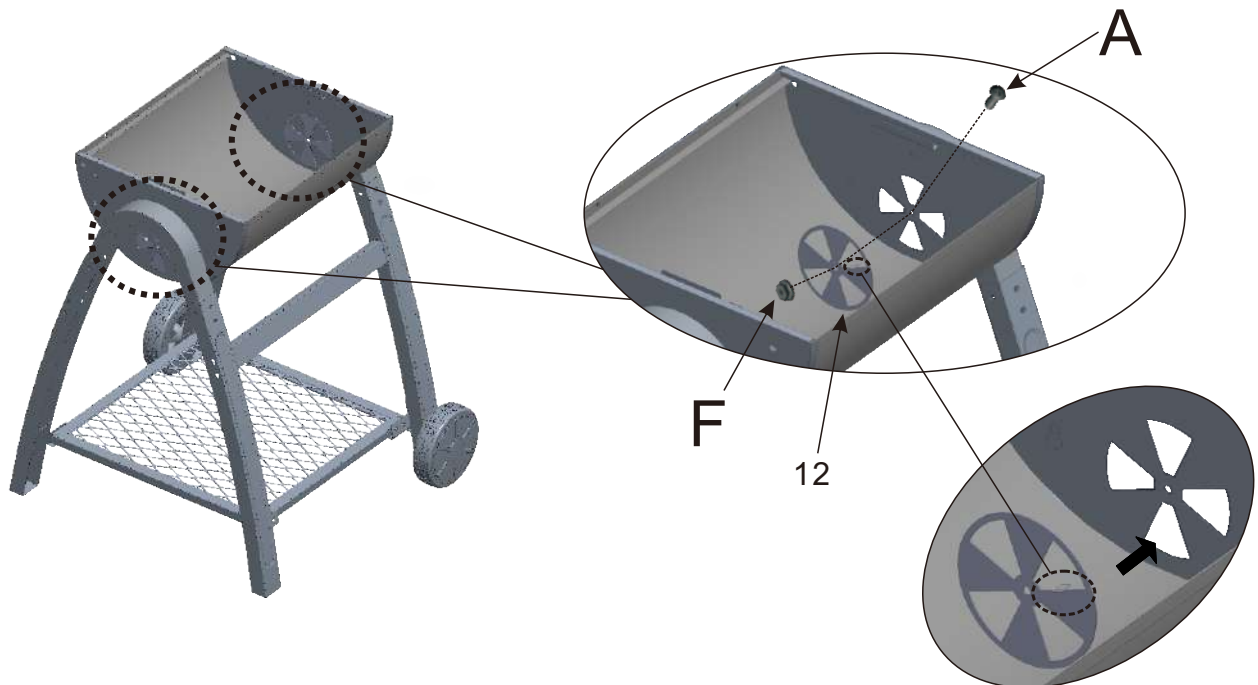
x2



A x 2



F x 2



7



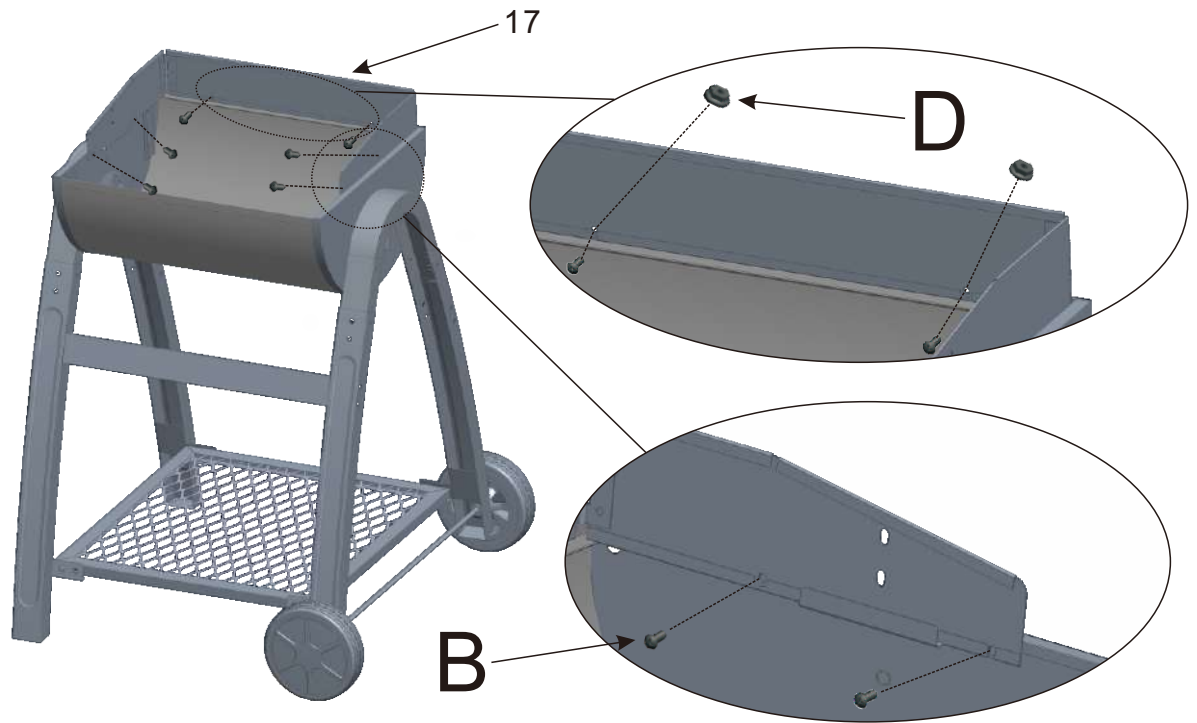
x1



B x 6



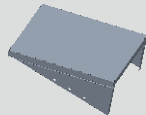
D x 2



8



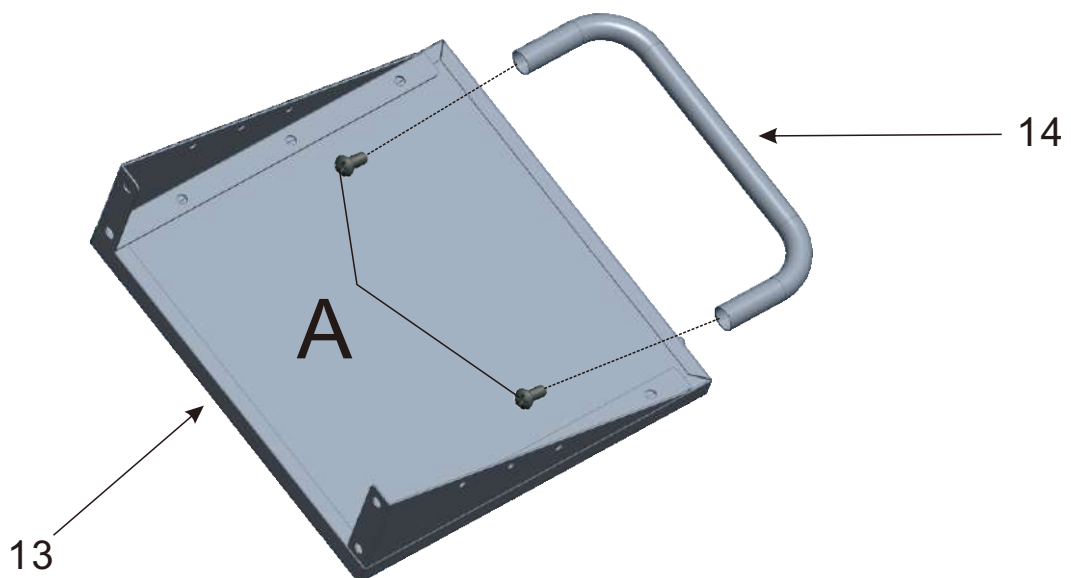
x1



x1



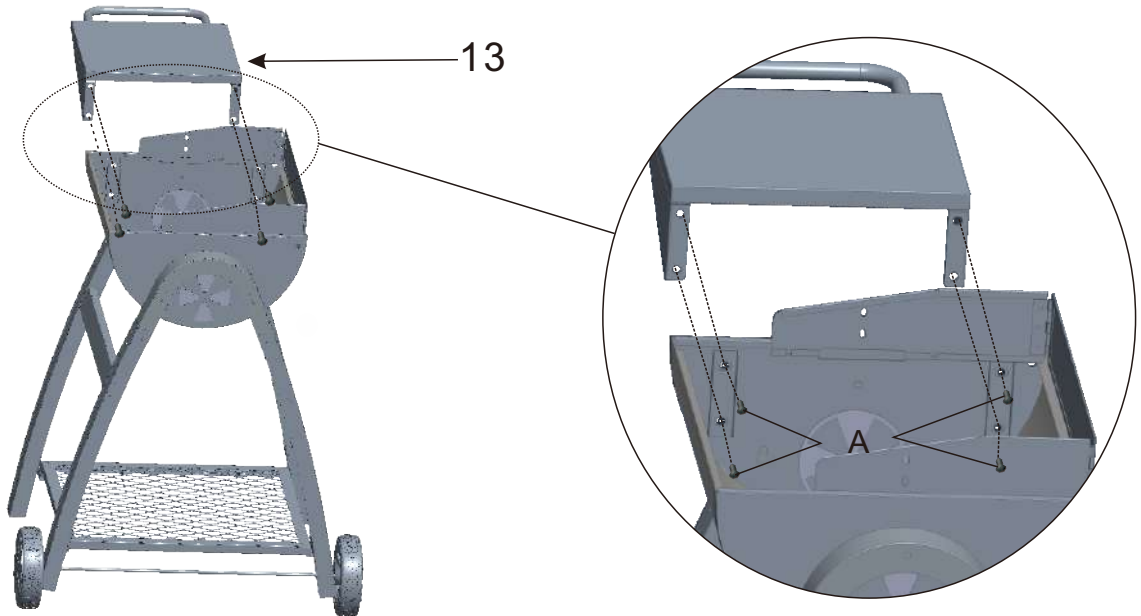
A x 2



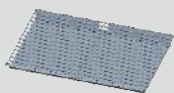
9



Ax4



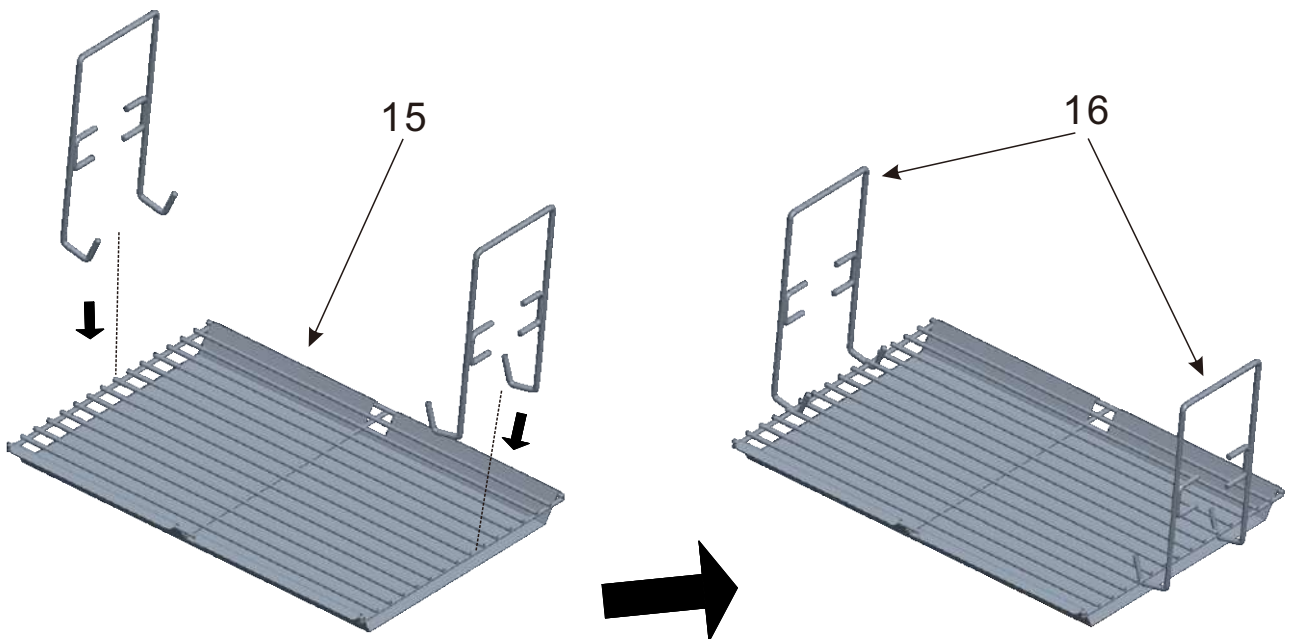
10


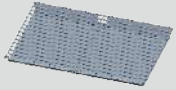



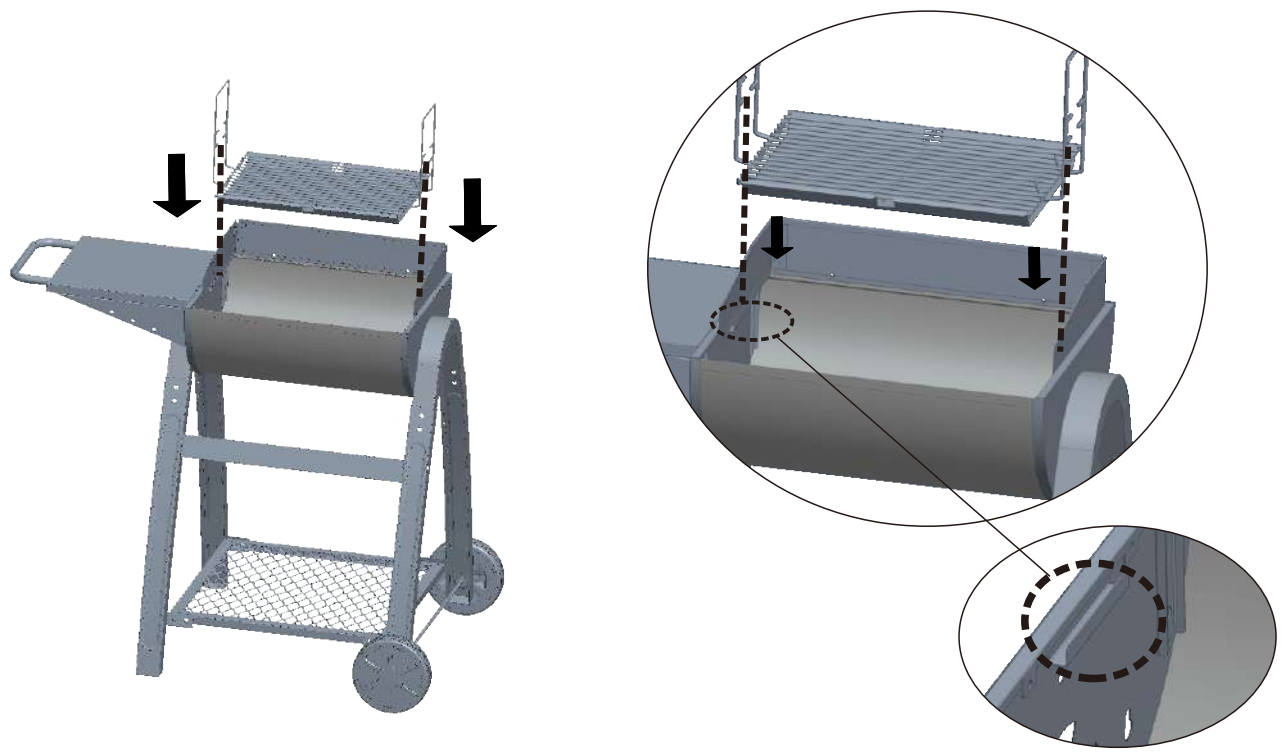
x1



x2



11   x1  x2



12   x 2

