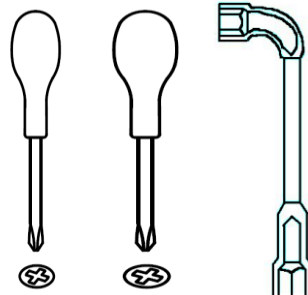
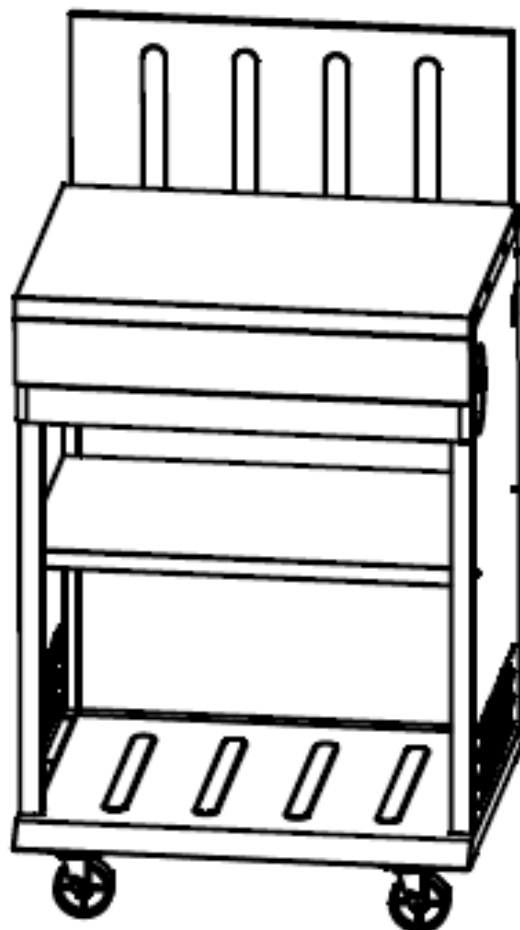
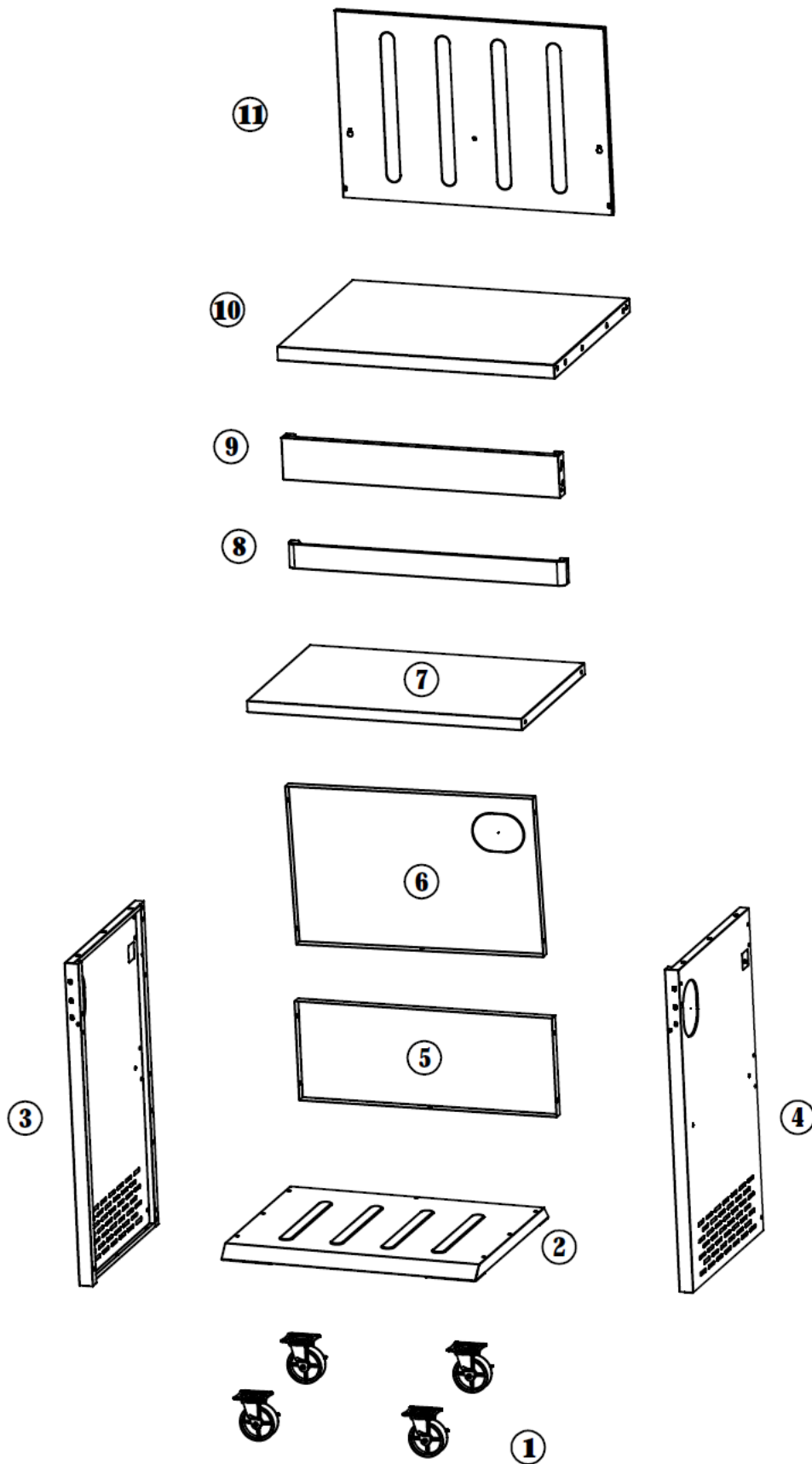




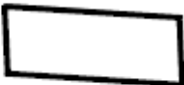



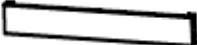
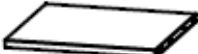

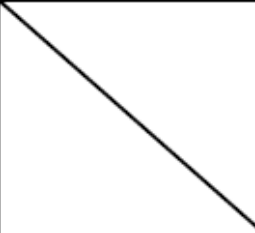




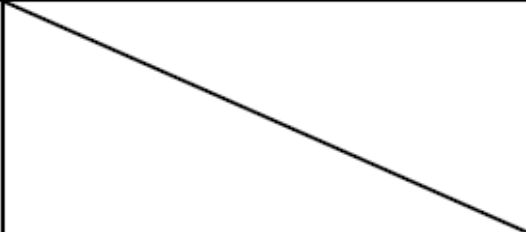


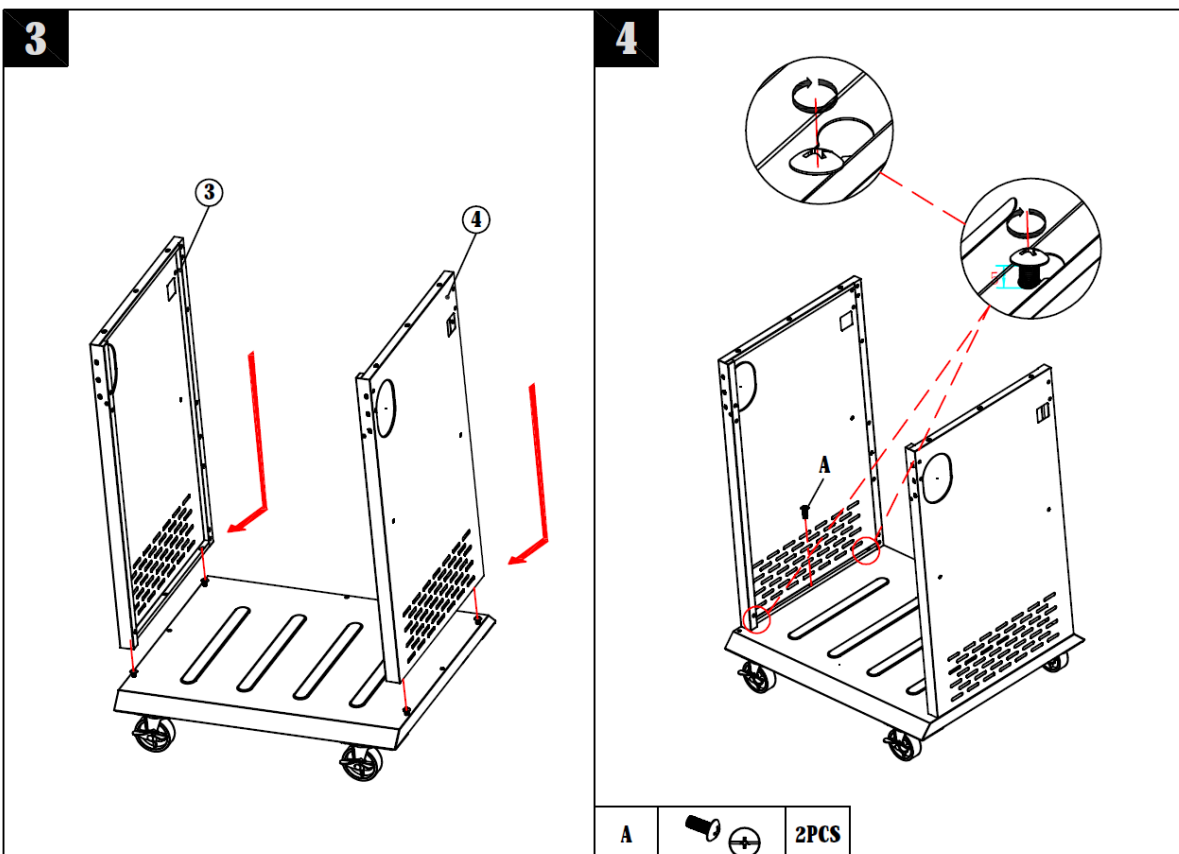
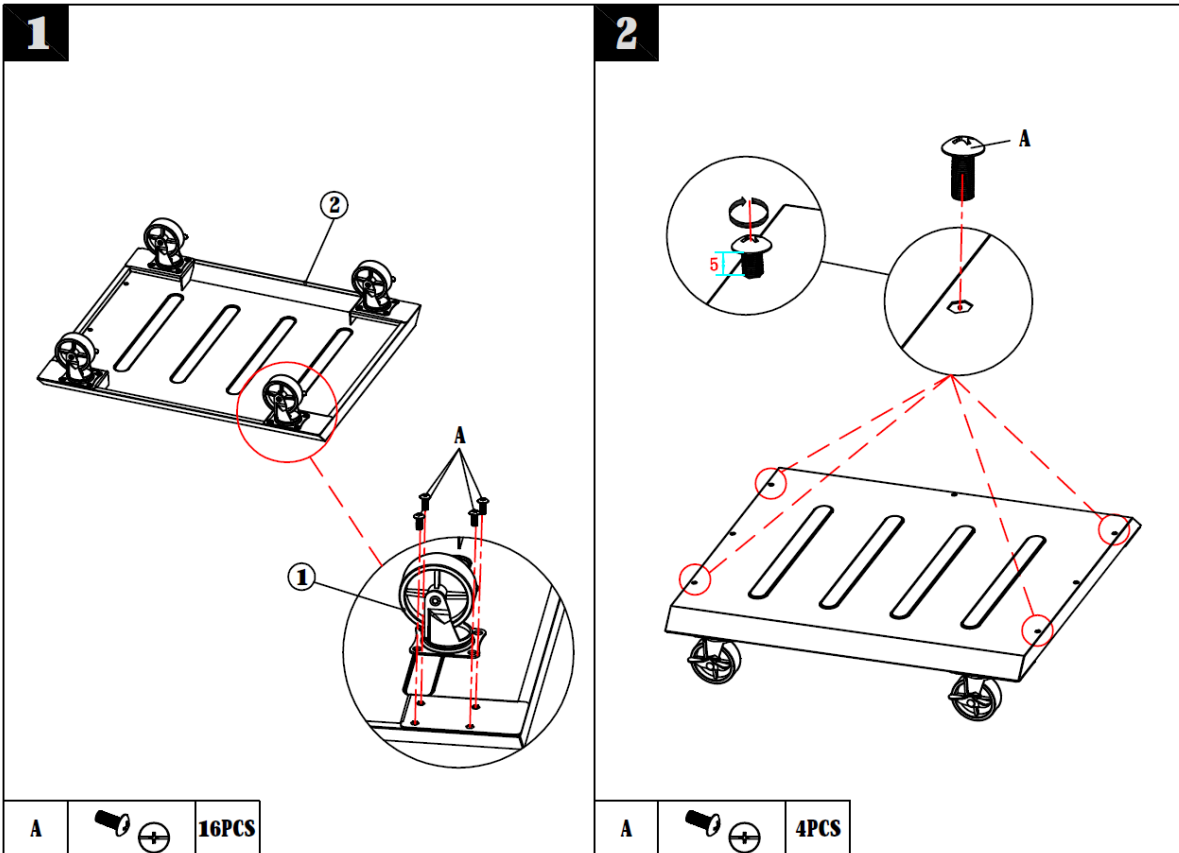
# FIDGI



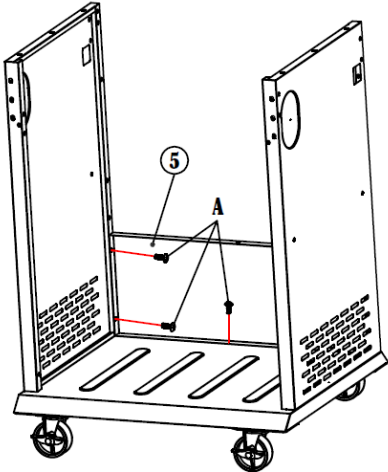
**60min**




<p><b>① *4</b></p> 	<p><b>② *1</b></p> 	<p><b>③ *1(L)</b></p> 
<p><b>④ *1(R)</b></p> 	<p><b>⑤ *1</b></p> 	<p><b>⑥ *1</b></p> 
<p><b>⑦ *1</b></p> 	<p><b>⑧ *1</b></p> 	<p><b>⑨ *1</b></p> 
<p><b>⑩ *1</b></p> 	<p><b>⑪ *1</b></p> 	
<p><b>A M5 - 10*46</b></p> 	<p><b>B M5 - 12*4</b></p> 	<p><b>C M4 - 8*3</b></p> 
<p><b>D M4 - 8*2</b></p> 		

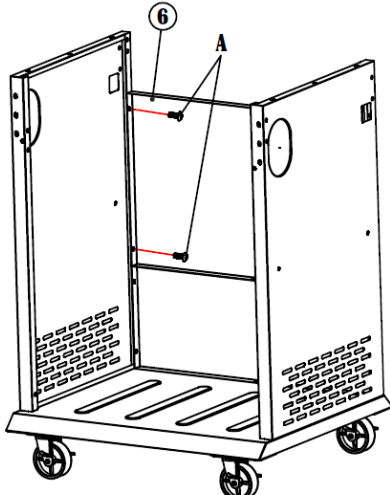



**5**



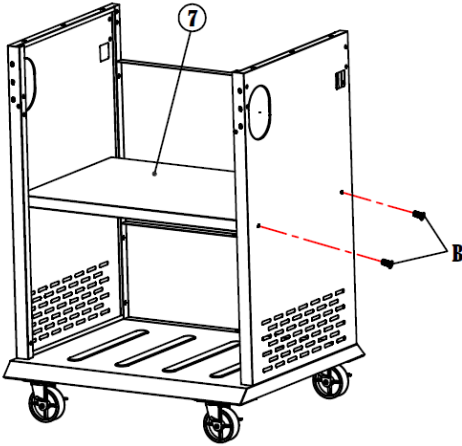
<b>A</b>		<b>5PCS</b>
----------	---	-------------


**6**



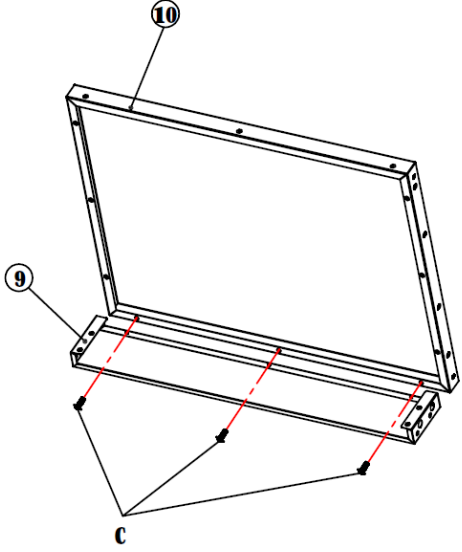
<b>A</b>		<b>4PCS</b>
----------	---	-------------


**7**

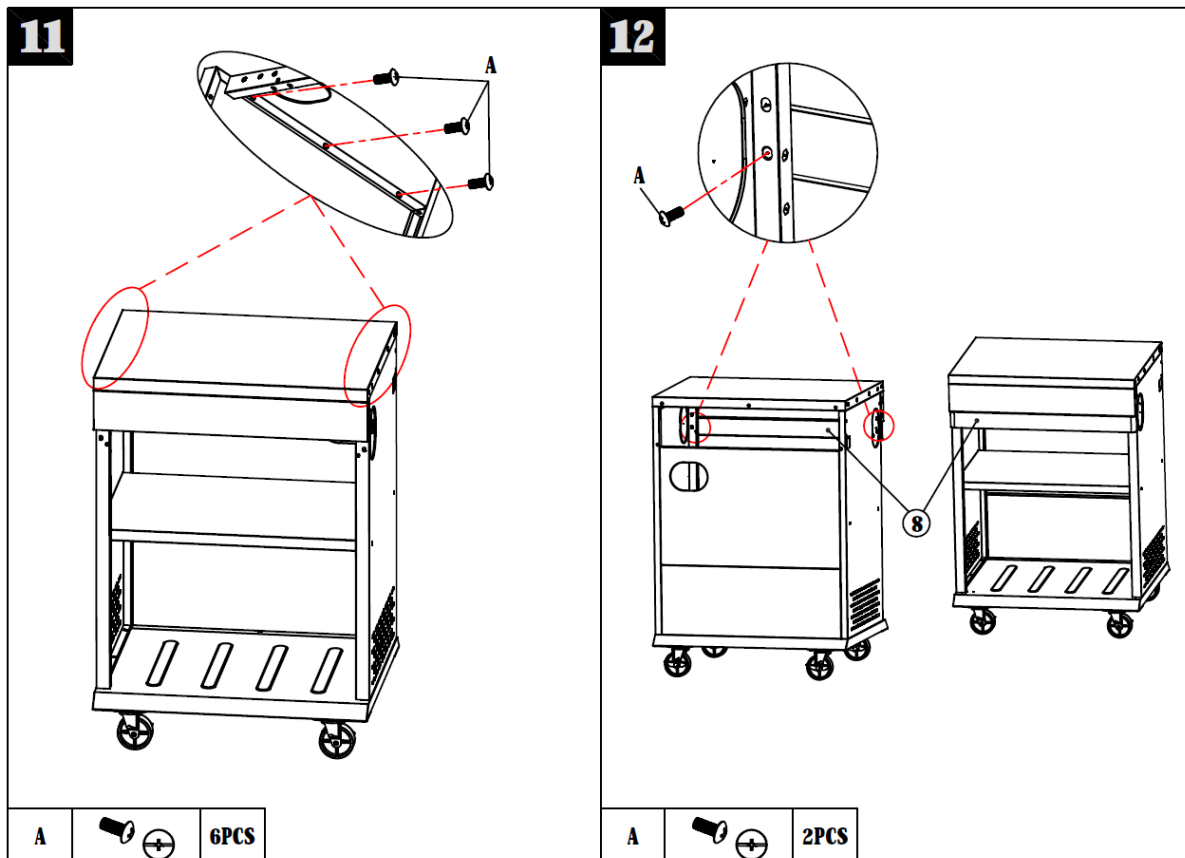
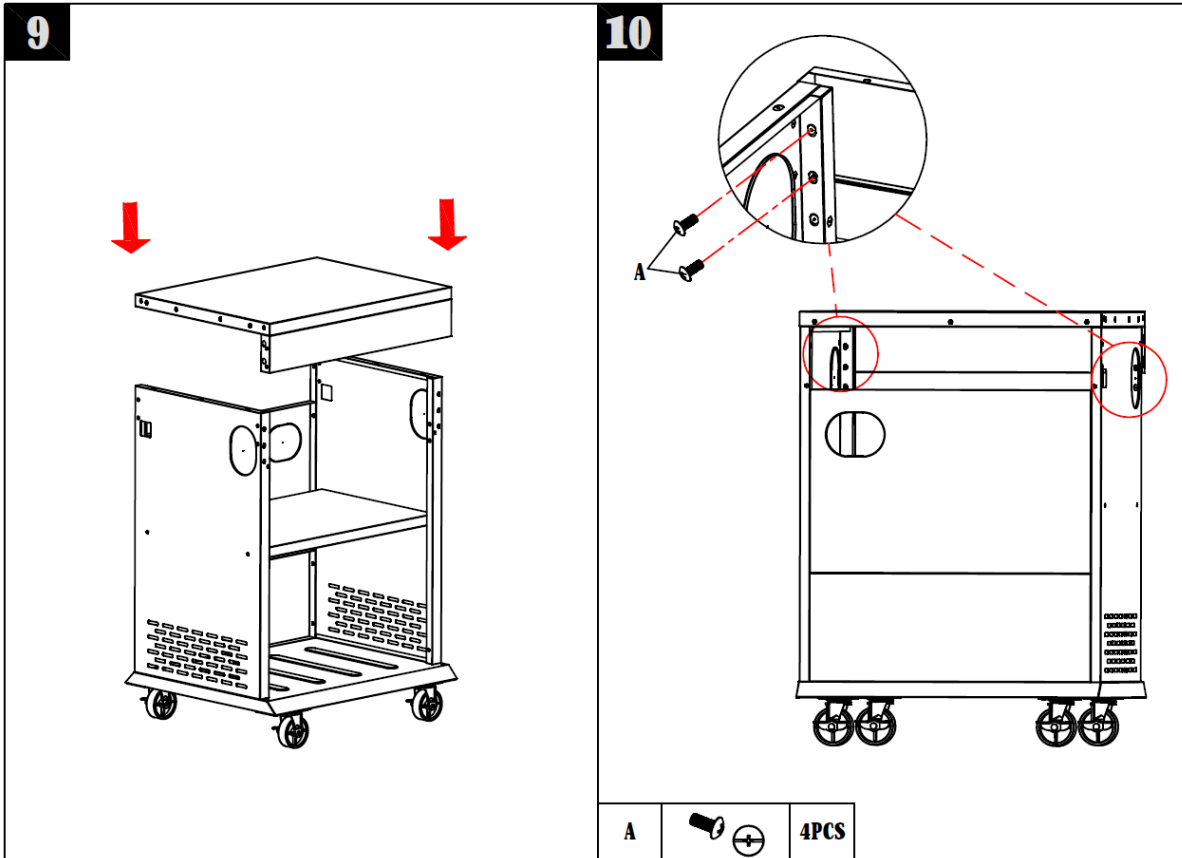


<b>B</b>		<b>4PCS</b>
----------	---	-------------

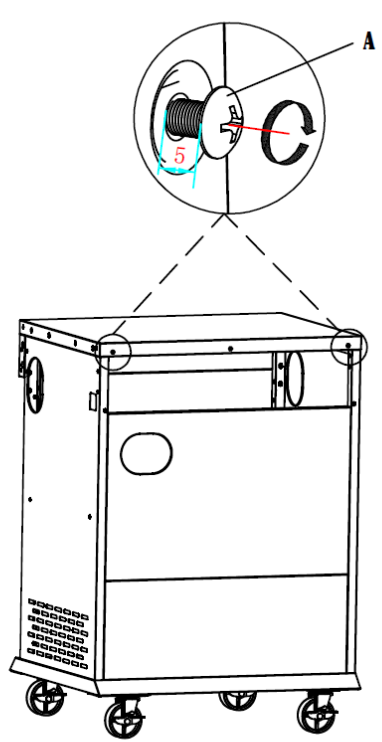
**8**




<b>C</b>		<b>3PCS</b>
----------	---	-------------

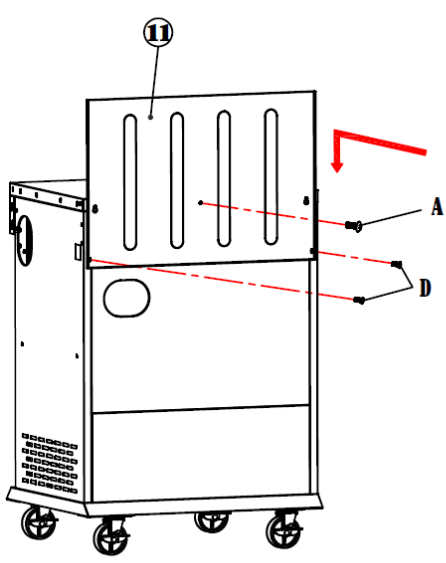




### 13



A		2PCS
---	---	------

### 14



A		1PC
D		2PCS